



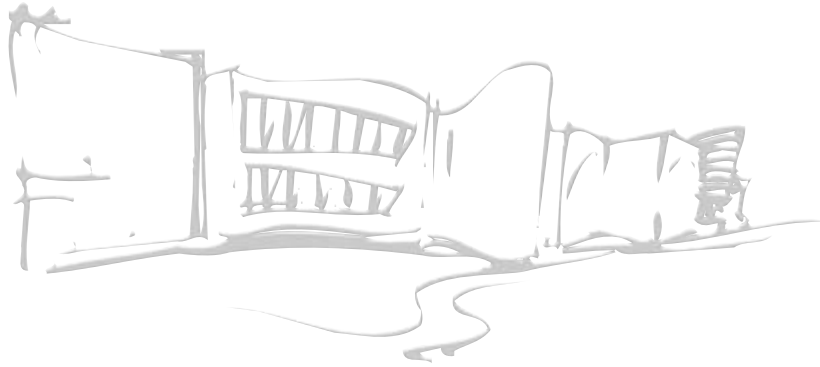
**PROEL** 

VOICE  
ALARM  
EQUIPMENT

COMMERCIAL AUDIO  
**2023**



# PROEL



Proel is a leading international company specialized in the **design, production and distribution** of **audio, video and lighting systems for live entertainment and fixed installations.**

The company was founded in 1991 and has its headquarter in Sant'Omero, Italy.

Proel's ultimate aim is **customer satisfaction**, achieved by the delivery of **top-quality products and top-quality service**, constantly and energetically striving to provide and develop solutions and products that are able to meet many different needs and specifications.



Since its origins, the **Italian spirit** characterises Proel's approach to everything the company does. A company born out from **love for beauty, design, and minute attention to detail**: the reasons why Proel's "**MADE, MADE, MADE IN ITALY**" concept is a guarantee of **quality and high-tech solutions.**

The new EN54 product line is the synthesis of 30 years of Proel's experience in designing, engineering and manufacturing sound reinforcement systems in Italy.

We are proud of the know-how we have achieved but we constantly outlook to increase our knowledge. Our products are manufactured under the strictest factory process control as prescribed by the EN54 certifications.

# PROEL INTERNAL STRUCTURE

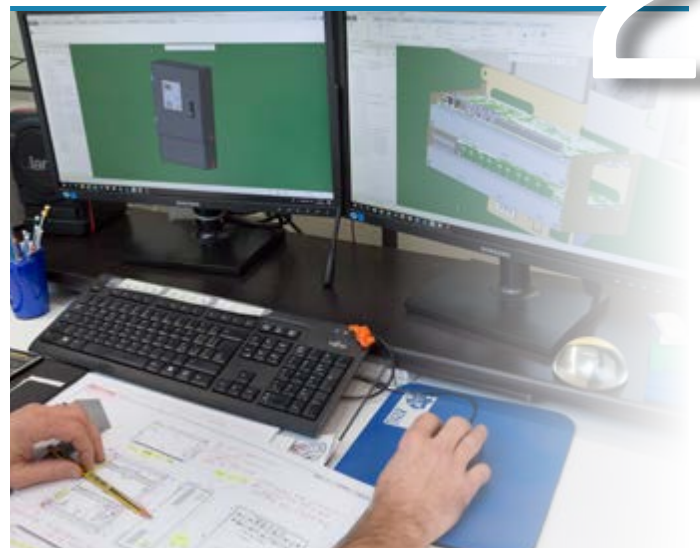
LISTENING TO THE MARKET

1



R&D

2



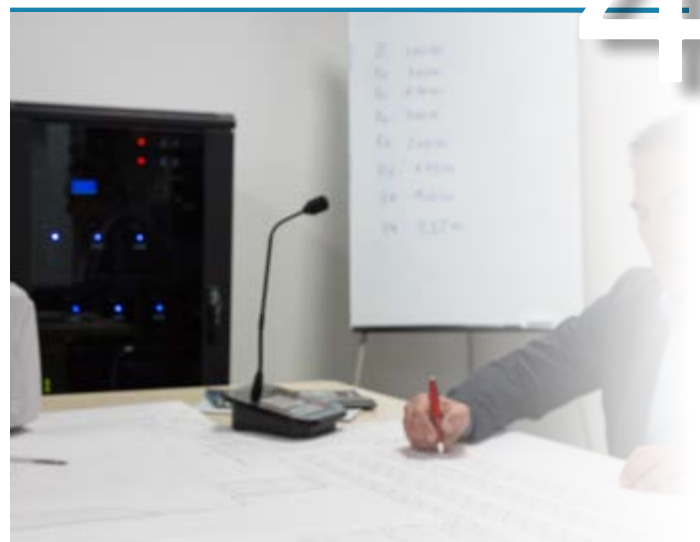
PRODUCTION

3



SYSTEM DESIGN

4



# OUR MANAGEMENT POLICY



We deliver total quality to make our customers fully confident in our products



We maintain an open communication with our customers throughout the process: product concept, project design, after sales support



When it comes to give the right solution, we first make ourselves the right question



We design and manufacture all our products applying all laws and regulations in force

# OUR STRENGTH



Highly skilled personnel



Design of dedicated systems and solutions



Support during installation and commissioning



Comprehensive technical documentation



High competitiveness

# WHERE WE ARE HEARD



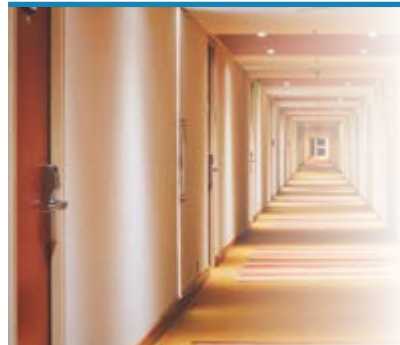
HOSPITAL



SPORT  
FACILITIES



INDUSTRY



HOTELS



TRANSPORT/  
LOGISTIC



RETAIL



PUBLIC  
BUILDING



OFFICE  
COMPLEXES

# VOICE ALARM EQUIPMENT

This new product line is Proel's response to the increasing demand for EN54 certified audio systems for both fire alarm and general announcement purposes, from simple stand-alone setups, up to extended multi-zone installations. With the new EVAC product line, Proel's Commercial Audio division becomes the key player in the world of certified fire alarm audio systems. With our R&D department and our capillary sales and after sales network, we create and provide a complete range of solutions to satisfy any requirement.

A continuous listening to the market needs, combined with a focused research and development team taking advantage of cutting edge technologies, allows us to always design one step ahead products, thus keeping their installation as simple as their daily use.

---

## VAE MODULAR SYSTEM

---

## VAE COMPACT ALL-IN-ONE

---


## EMERGENCY AND ANNOUNCEMENT CALL STATIONS

---

## ARTIA SERIES







## VAE MODULAR SYSTEMS EN54-16 EN54-4 CERTIFIED

No matter how huge or tiny your building is. No matter how many zones and how much power you need. No matter how many messages you have to send or how many call stations you should fit. VAE modular emergency voice alarm and general announcement sound system is always tailored to your facility, combining flexibility, performance and cost efficiency.

How we did this? Each item and module of the system is like a primary color on the artist's palette. Joining them we can offer you infinite unique masterpieces.

# VAE MODULAR SYSTEM

## PA EV PROM5Z

The PA EV PROM5Z is the modular system main controller that features all functions prescribed by the EN 60849, EN 54-16 and BS 5839-8 standards. Not just a unit to perform itself monitoring and signal path integrity, but an advanced system manager that routes emergency calls, general announcements and recorded messages. Its intuitive programming software allows you to configure the simplest setup, up to the widest multi-zone system. Thanks to its multiple message players, you can forward simultaneously up to 108 different recorded messages on 108 zones, or if needed, one at the time. In any case, one dedicated alarm message for each zone.



### FEATURES

- EN 54-16 certified
- Up to 5 direct plug-in modules for the amplifier/line management
- Up to 108 zones
- LCD Display with navigation buttons
- LEDs: Power, Fault Warning and Voice Alarm
- Front USB port for configuration download
- 48V dc power supply input
- Spare amplifier input
- Two RJ45 connectors to the Slave units
- Two RJ45 busses microphone stations connections (up to 108 microphone units)
- Two monitored alarm message input triggers
- Common fault out
- 2 rack unit 19" Standard

## PA EV PROS8Z

The 5 zones handled by the PA EV PROM5Z are not enough? You can daisy chain many PA EV PROS8Z slave units and fill them with their line controllers to manage a building as big as 108 zones are.



### FEATURES

- EN 54-16 certified
- Up to 8 direct plug-in modules for the amplifier/line management
- LEDs: Power, Fault Warning e Voice Alarm
- 48V dc power supply input
- Spare amplifier input
- Two RJ45 connectors to from and to Master or Slave units
- 2 rack unit 19" Standard

## PA EV MCL1Z

The 5 zones handled by the PA EV PROM5Z are not enough? You can daisy chain as many PA EV PROS8Z slave units and fill them with their line controllers to manage a building as big as 108 zones are.



### FEATURES

- Direct connection to the power amplifier
- Output connector 100V line

## PA EV MCL2Z

Zone controller managing the loudspeaker line and performing continuous monitoring. The module fits into the PA EV PROM5Z Master matrix or PA EV PROS8Z Slave matrix. Operates together with the EV MCL1Z A-Line module in setups where high-power redundant A+B loudspeaker lines are needed.



### FEATURES

- Connector for connecting the amplifier output
- Output connector 100V line

## PA PROBUS

Bus Protection.



## 91ELT400010

Line stabilizer, to be used in case of low line load.



# VAE MODULAR SYSTEM

## PA DM250/550/750

### Digital Modular Power Amplifier Series

The design of new 100V DMPower amplifier series was targeted to fulfil the most demanding needs of a market in a continuous evolution: they respond to the most strict operating criteria and they are built to ensure absolute reliability in 24/7 operation. They are not only the ideal companion of VAE Modular Voice Alarm System, but can also live as a stand-alone setup to manage background music and general announcements from a microphone station. Thanks to the most efficient SMPS power supply and transformerless power stage, we have created the most compact, powerful and fully featured dual supply Public Address amplifier. Get one and you won't get any other.



### KEY POINT

#### Modular, Compact, Powerful

Three power versions: 250W from the DMP250, 550W from the DMP550 and 750W from the DMP750.

Up to 8 channels and 6.000W of audio power in a single 3U Rack frame.

#### Fully Featured, Totally Versatile

AC Mains and 48Vdc dual input power. Line and microphone inputs with priority selection or Soft-Vox.

#### DSP-Onboard

All DMPower amplifiers come with PA-Taylor'd algorithms such as tone controls and dynamics and load management.

#### Smart User Interface

Straightforward commands and indicators with potentiometer position recall.

#### Multi-Level Protection and Self Fault Recovery

Microprocessor advanced monitoring and system management will always keep the amp and your loudspeakers safe.

#### A+++ Energy Efficiency

DMPower amplifiers are GREEN! Very low quiescent current and "No-Signal Auto Shutdown" mean energy saving: low power consumption and small back-up battery size.

## PA MDAC8

8 units rack mount frame (3U rack 19") for DMPower series



## TECHNICAL SPECIFICATIONS

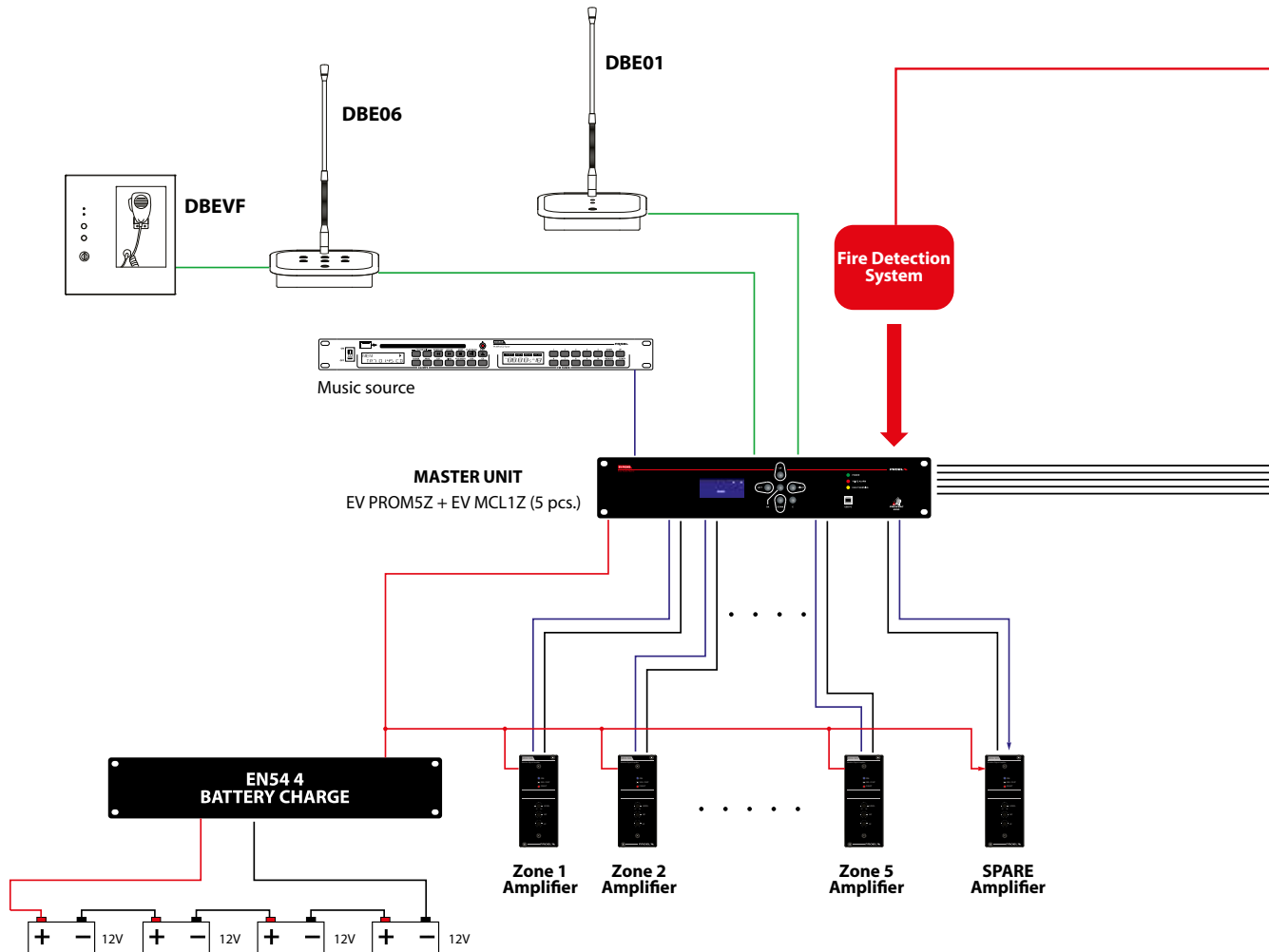
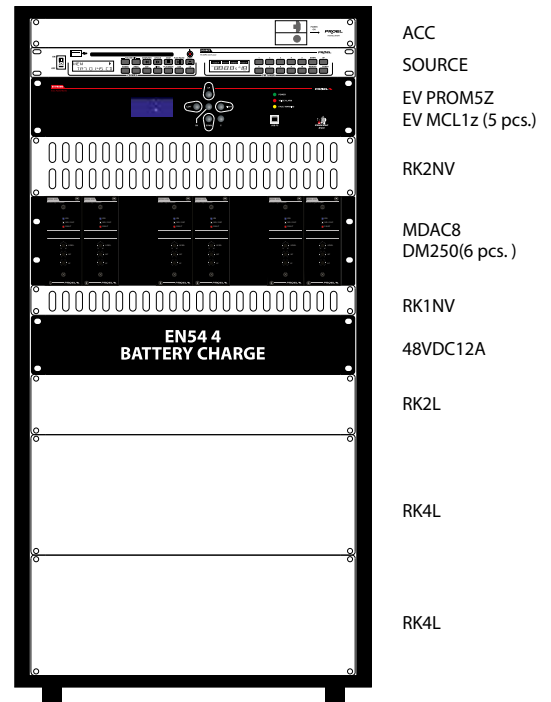
| Model series DMPower               | DM750  | DM550  | DM250  |
|------------------------------------|--|--|--|
| Constant voltage speaker output    | 100V - 70V selectable  | 100V - 70V selectable  | 100V - 70V selectable  |
| Max Output power RMS @100V         | 750W   | 550W   | 250W   |
| Peak output current                | 9.40A  | 6.90A  | 3.20A  |
| Minimum Load Impedance             | 13.3 Ohm   | 18.2 Ohm   | 40 Ohm   |
| Frequency response                 | 50Hz ÷ 20KHz ±3db<br>440Hz ÷ 20KHz ±3db (selectable)                   | 50Hz ÷ 20KHz ±3db<br>440Hz ÷ 20KHz ±3db (selectable)                   | 50Hz ÷ 20KHz ±3db<br>440Hz ÷ 20KHz ±3db (selectable)                   |
| S/N Ratio                          | > 110 dbA (20Hz ÷ 20KHz)   | > 110 dbA (20Hz ÷ 20KHz)   | > 110 dbA (20Hz ÷ 20KHz)   |
| Distortion (THD+N)                 | < 0.05 dbu (1W ÷ Max Power)  | < 0.05 dbu (1W ÷ Max Power)  | < 0.05 dbu (1W ÷ Max Power)  |
| Input Impedance                    | 10KΩ   | 10KΩ   | 10KΩ   |
| Input Sensitivity (mV)             | 100÷1000 (Priority Input)<br>550 (Line Input)                          | 100÷1000 (Priority Input)<br>550 (Line Input)                          | 100÷1000 (Priority Input)<br>550 (Line Input)                          |
| Maximum Input Voltage (V)          | 5.50 Vp-p / +8.0 dBu   | 5.50 Vp-p / +8.0 dBu   | 5.50 Vp-p / +8.0 dBu   |
| DSP audio processing               | 24bit 48KHz, Volume control, Mic Gain control, Soft-VOX, Tone controls | 24bit 48KHz, Volume control, Mic Gain control, Soft-VOX, Tone controls | 24bit 48KHz, Volume control, Mic Gain control, Soft-VOX, Tone controls |
| <b>Ac Power Supply</b>             |  |  |  |
| Input Voltage (V~)                 | 230VAc (+10% / -15%)   | 230VAc (+10% / -15%)   | 230VAc (+10% / -15%)   |
| Input Frequency (Hz)               | 50 / 60 ± 10%  | 50 / 60 ± 10%  | 50 / 60 ± 10%  |
| Max Average Input Current          | 2.6A (pink noise, max load)  | 1.9A (pink noise, max load)  | 0.95A (pink noise, max load)   |
| <b>Dc Power Supply</b>             |  |  |  |
| Input Voltage (Vdc) 48V.DC nominal | 42 ÷ 55 Vdc  | 42 ÷ 55 Vdc  | 42 ÷ 55 Vdc  |
| No-Signal current consumption      | 50mA   | 50mA   | 50mA   |
| Max Average Input Current          | 13A (pink noise, max load)   | 9.5A (pink noise, max load)  | 4.5A (pink noise, max load)  |
| <b>Input/Output Connectors</b>     |  |  |  |
| Primary power supply (V~)          | IEC panel connector  | IEC panel connector  | IEC panel connector  |
| Auxiliary power supply (V./+ dc)   | Polarized panel connector  | Polarized panel connector  | Polarized panel connector  |
| Speaker Output                     | Terminal block (Euroblock)   | Terminal block (Euroblock)   | Terminal block (Euroblock)   |
| Signal Input                       | Terminal block (Euroblock)   | Terminal block (Euroblock)   | Terminal block (Euroblock)   |
| MIC Input                          | Polarized panel connector/RJ45   | Polarized panel connector/RJ45   | Polarized panel connector/RJ45   |
| Std-By                             | Terminal block (Euroblock)   | Terminal block (Euroblock)   | Terminal block (Euroblock)   |
| <b>Controls &amp; Indicators</b>   |  |  |  |
| Indicators                         | ON/Std-By, Signal/Clip/Limit, Protect/Temp                             | ON/Std-By, Signal/Clip/Limit, Protect/Temp                             | ON/Std-By, Signal/Clip/Limit, Protect/Temp                             |
| Controls                           | Master Volume, Treble, Bass, 440Hz Cut, Mic Gain, Vox Gain, Std-By     | Master Volume, Treble, Bass, 440Hz Cut, Mic Gain, Vox Gain, Std-By     | Master Volume, Treble, Bass, 440Hz Cut, Mic Gain, Vox Gain, Std-By     |
| <b>Protection</b>                  |  |  |  |
| Speaker overload protection        | Microprocessor based, current limiter                                  | Microprocessor based, current limiter                                  | Microprocessor based, current limiter                                  |
| Speaker short-circuit protection   | Microprocessor based   | Microprocessor based   | Microprocessor based   |
| Thermal management                 | Microprocessor based: Fan Speed, signal attenuation, shutdown          | Microprocessor based: Fan Speed, signal attenuation, shutdown          | Microprocessor based: Fan Speed, signal attenuation, shutdown          |
| DC power protection                | Fuse, polarity inversion   | Fuse, polarity inversion   | Fuse, polarity inversion   |
| Mains power protection             | Fuse   | Fuse   | Fuse   |
| Mains power Spike protection       | 480 Joules, 2ms  | 480 Joules, 2ms  | 480 Joules, 2ms  |
| Clipping protection                | DSP based amplitude limiter  | DSP based amplitude limiter  | DSP based amplitude limiter  |
| <b>General Data</b>                |  |  |  |
| Audible Noise (dB@1mt)             | < 40   | < 40   | < 40   |
| Operating temperature (°C)         | -5 ÷ 40  | -5 ÷ 40  | -5 ÷ 40  |
| Relative humidity (%)              | < 95 (non-condensing)  | < 95 (non-condensing)  | < 95 (non-condensing)  |
| Dimensions (LxHxP) (mm)            | 116 x 53 x 367   | 116 x 53 x 367   | 116 x 53 x 367   |
| Weight (kg)                        | 2.15   | 2.15   | 2.15   |

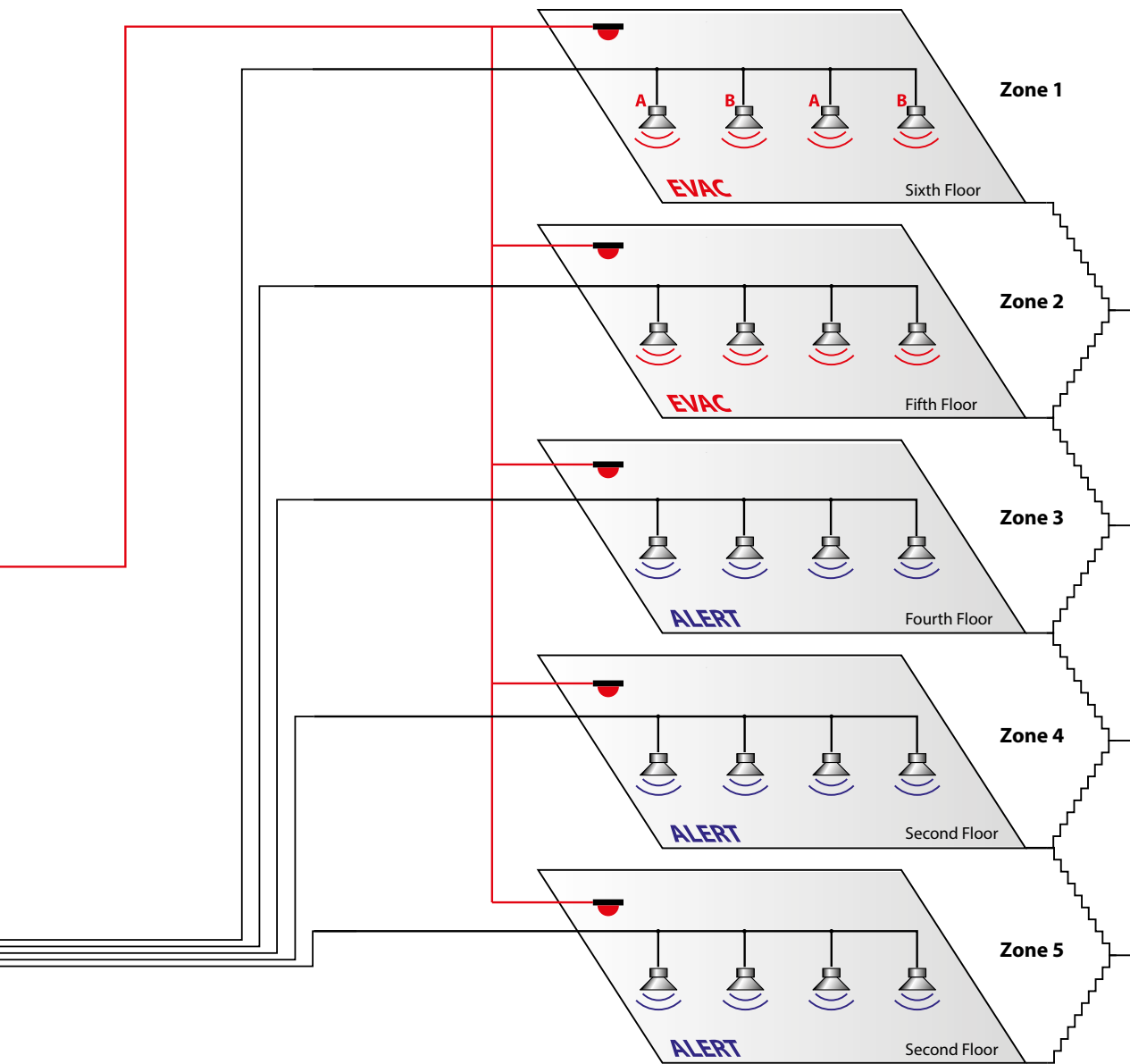
# VAE MODULAR SYSTEM

## 5 ZONES - 5 LINES TYPICAL SYSTEM

### FEATURES

- EN 54-16, EN60849 and BS5839-8 compliant
- 5 zones
- Single line for each zone
- 250/550/750W Power for each zone
- Spare amplifier
- One Battery Charge
- 4 pcs. Battery 12V
- One emergency (Fireman) call station (DBE01)
- One multi zones call station (DBE06)



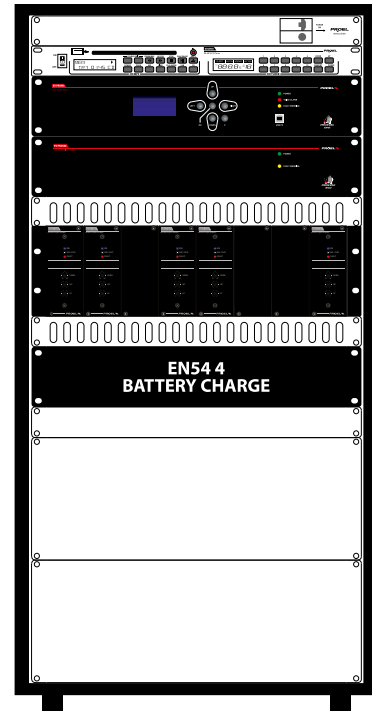


# VAE MODULAR SYSTEM

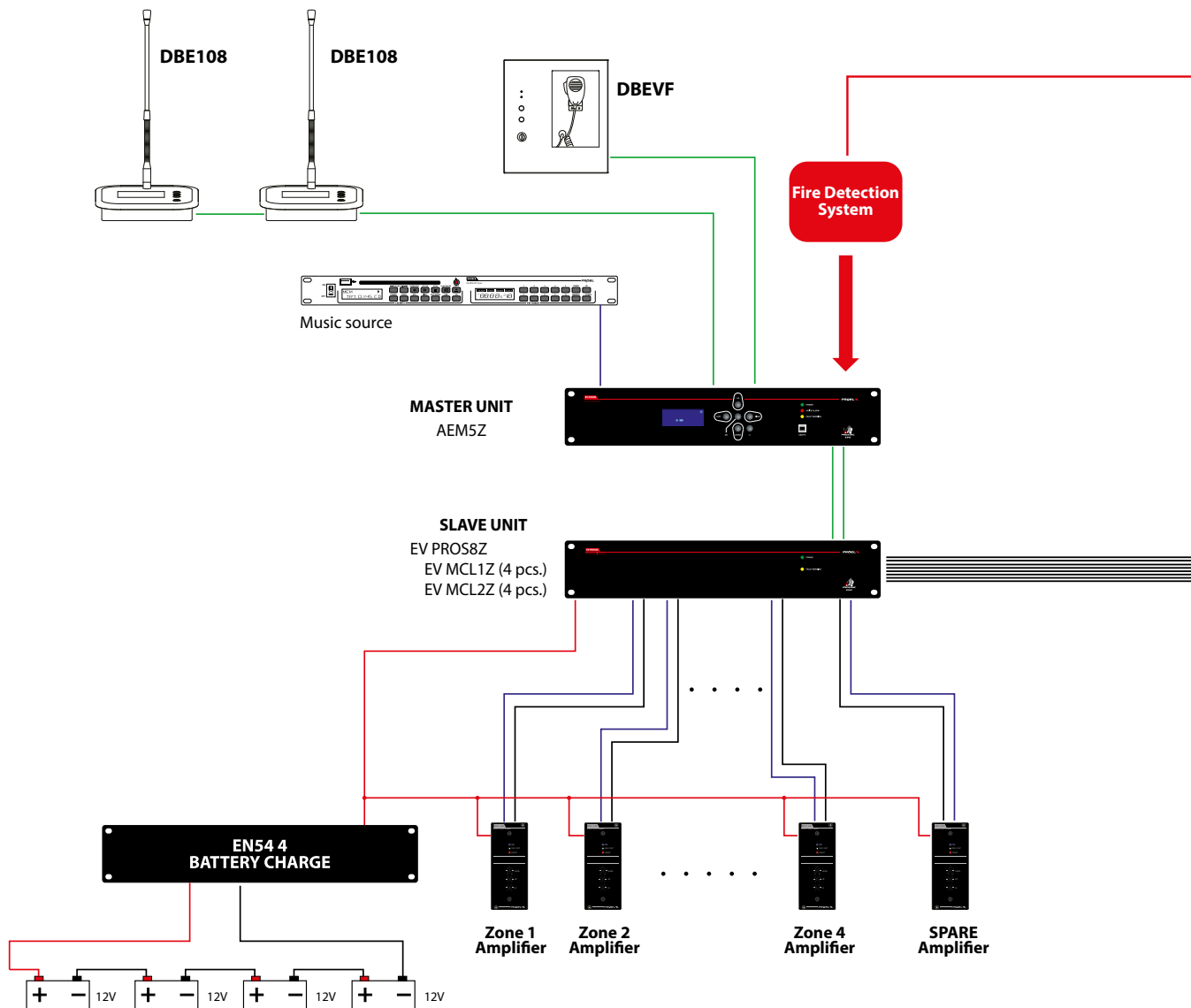
## 4 ZONES - 8 LINES TYPICAL SYSTEM

### FEATURES

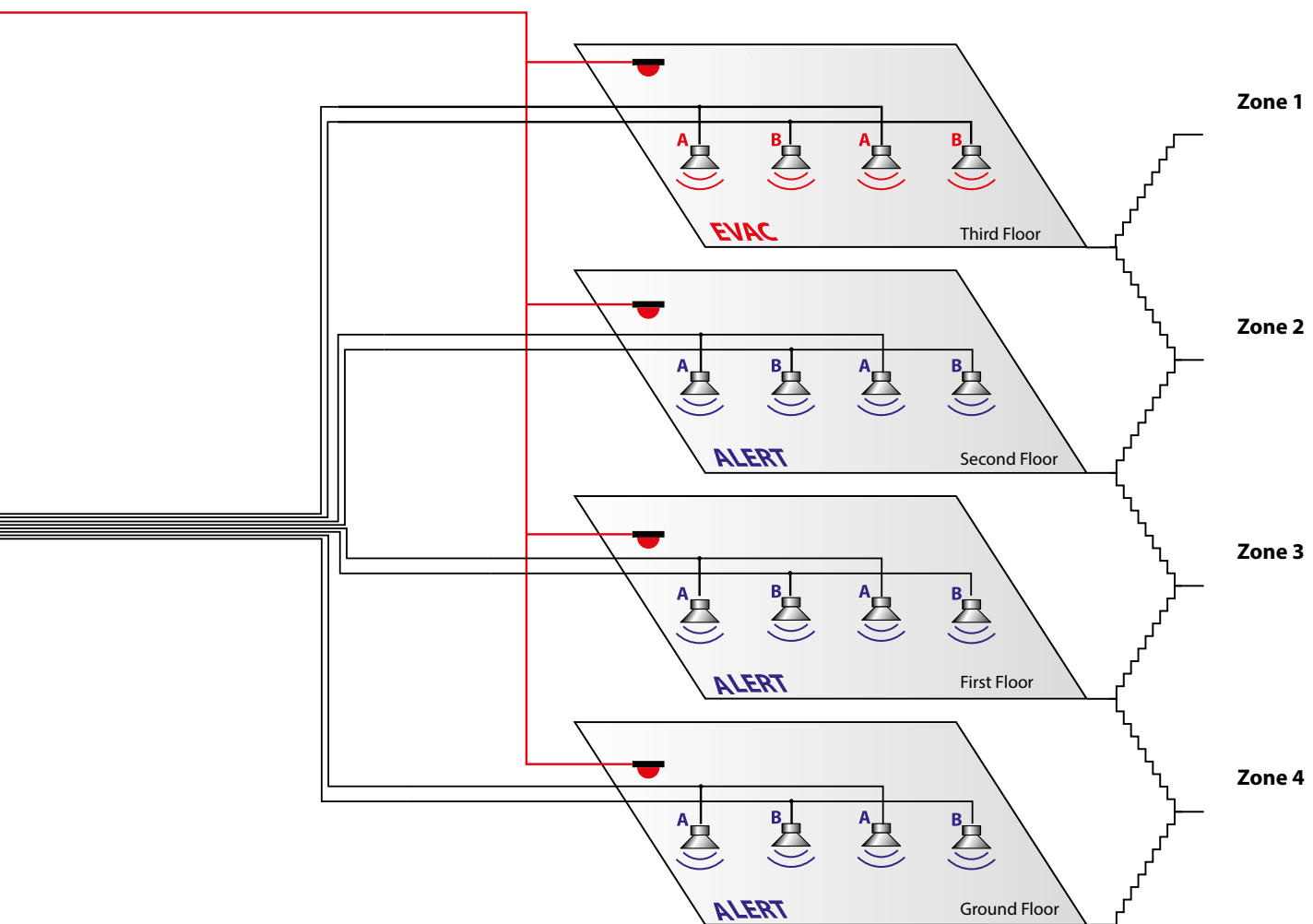
- EN 54-16, EN60849 and BS5839-8 compliant
- 4 zones
- Double line for each zone
- 250/550/750W Power for each zone
- Spare amplifier
- One Battery Charge
- 4 pcs. Battery 12V
- One emergency (Fireman) call station (DBE01)
- One multi zones call station (DBE06)



ACC  
SOURCEPRO  
EV PROM5Z  
EV PROS8Z  
EV MCL1z (4 pcs.)  
EV MCL2z (4 pcs.)  
RK1NV  
MDAC8  
DMPower (5 pcs.)  
RK1NV  
48VDC12A  
RK1L  
RK4L  
RK4L







# VAE COMPACT, ALL-IN-ONE, EVACUATION SYSTEMS

## EN54-16 EN54-4 CERTIFIED

Proel is proud to introduce its range of integrated emergency and general announcement sound systems combining flexibility, ease of use and straightforward installation, confirming our leadership in performance, easy installation and reliability.

### **THE IDEAL SOLUTION, ALWAYS!**

The AE604 and AE300 were engineered according to the same 3 fundamentals:

- Off the shelf, all in one systems
- Straightforward installation
- Ease of use

Following these non renounceable requirements, we have created two complementary products dedicated to different operational environments: the AE300 for small sized buildings, where just a single zone is needed, and the AE604 for medium sized facilities where up to 4 zones are needed.

Finally, in case of more complex installations, both AE300 and AE604 can live together making a scalable, multizone distributed system, thanks to their native networking features.

Now, it's easy to understand why AE300 and AE604 are the ideal solution for schools, halls, supermarkets, hotels, railway stations, hospitals and, in general, all public buildings.

These units both integrate an EN54-16 automatic voice evacuation system and an EN54-4 backup power supply in a monolithic wall-mount steel enclosure. Nothing else is needed: no complex installation, no endless commissioning, no engineering skills. Just take it out of the box, hang it to the wall, make some connections and after a basic self-setup you have your emergency sound system into action.

The systems will trigger recorded evacuation messages from the fire alarm equipment, but also live messages can be radiated through the integrated emergency microphone.

They are not just alarm systems: they feature addressable background music inputs, external microphone inputs for general announcements, external emergency call station inputs, a set of contacts to trigger general recorded messages and finally a user selectable schedule that will allow you to play any recorded announcement at anytime.

Both AE300 and AE604 share a cutting edge DSP architecture and powerful amplifiers to bring clearly bring your emergency alerts from the smallest workshop, up to the widest hall.

### **INTEGRITY AND CLARITY: ALWAYS!**

Proel's integrated evacuation systems are fully supervised according to EN54-16 and EN54-4 standards, to ensure spoken or recorded messages integrity by constantly audio monitoring, power and control paths, from the microphone capsule to the loudspeaker line.

In addition, they implement an advanced amplifier management to grant always a full drive of your loudspeakers, even in case of a failure of one of its integrated power units. Fulfilling the EN54-16 requirements one step ahead.

Our engineers have brought their Audiophile mindset into all of our products, because the quality and intelligibility of your recorded or live alarm message and background music are key features you can't renounce.



# VAE COMPACT ALL-IN-ONE

## AE604

**With AE300 we were pioneers, with AE604 we are innovators.**

Wall mounted All-In-One voice alarm system compliant with EN54-16 testing and charge circuit compliant with EN54-4. 4 Zones System on redundant loudspeaker line and backup Amplifier. Main and backup amplifier in class D "Pure Path"™. 300W @ 100V on redundant loudspeaker line (A + B). The system does not require a line end resistor.

The system ensures full power performance even with backup power.

Processing circuit by DSP; balanced and isolated background music input, isolated and balanced background music microphone input with selectable 48Vdc phantom power supply and priority activation by contact; monitored input for remote emergency call stations; front panel fitted with monitor loudspeaker, monitored emergency PPT microphone, direct sending message keys, navigation keys, large display with LCD dot matrix. Line output for active sub-woofer; audio messages stored on uSD 16bit 48kHz: 8 general purpose messages with activation from dedicated input, contacts or incorporated scheduler, 8 monitored contacts for emergency announcement activation.

4pcs. 12Vdc batteries 18Ah not included.

### FEATURES

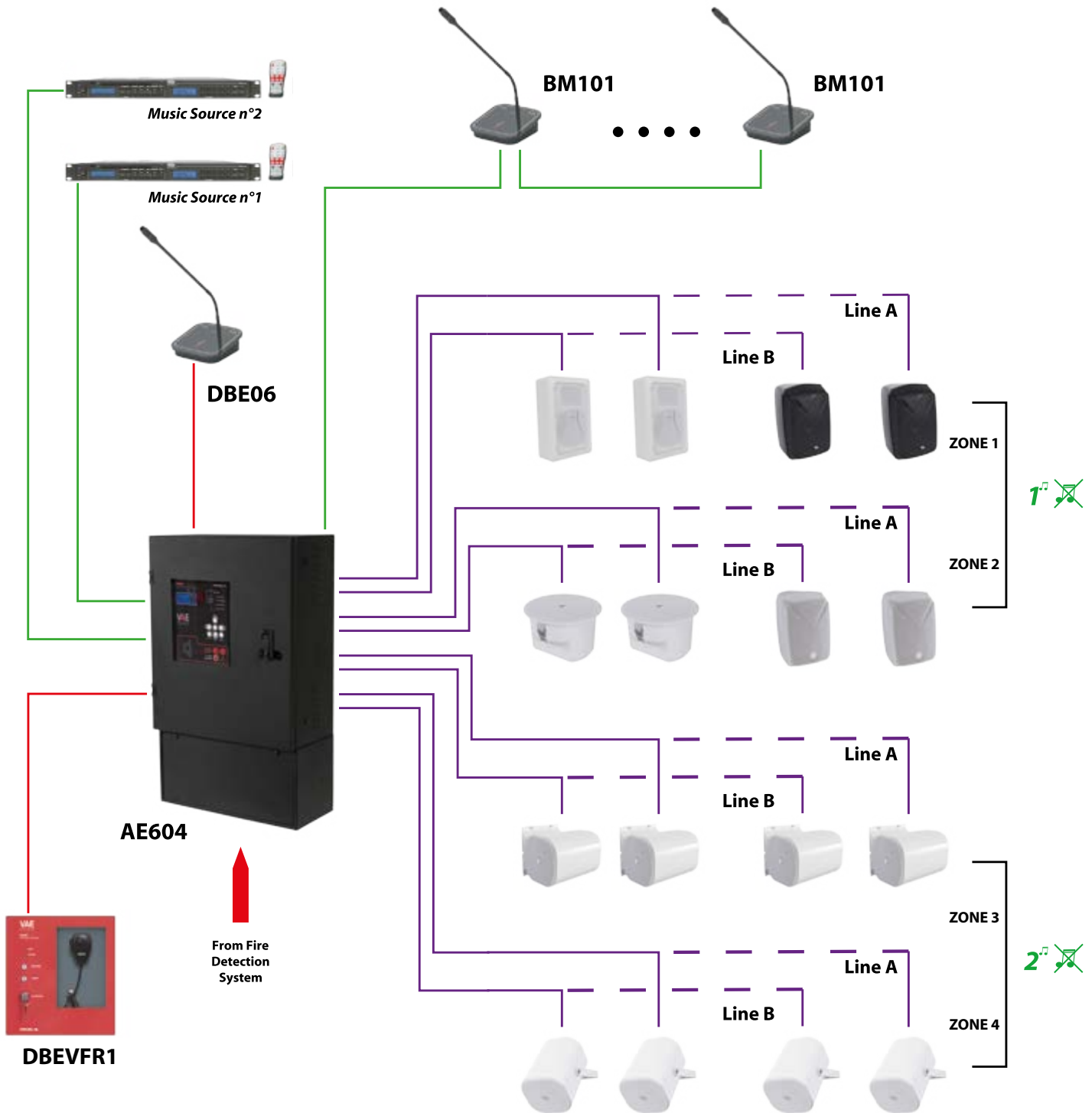
- Off the shelf integrated voice alarm system
- Out of the box installation ready
- 4 Zones
- Redundant loudspeaker lines on each zone (A+B)
- High quality full digital audio DSP based architecture
- High output power: 600W
- No end of line required
- Embedded EN54-4 power supply and batteries
- 8 x general purpose triggerable messages
- 2 x voice alarm messages (monitored input triggers)
- 2x Background music input
- Ethernet
- Remove battery case
- Certification EN54-16 EN54-4



# STAND ALONE APPLICATION

## MAXIMUM EXTENSION CAPACITY

- 1 x AE604
- 8 x DBE01 or DBE06 or DBEVFR1



# VAE COMPACT ALL-IN-ONE

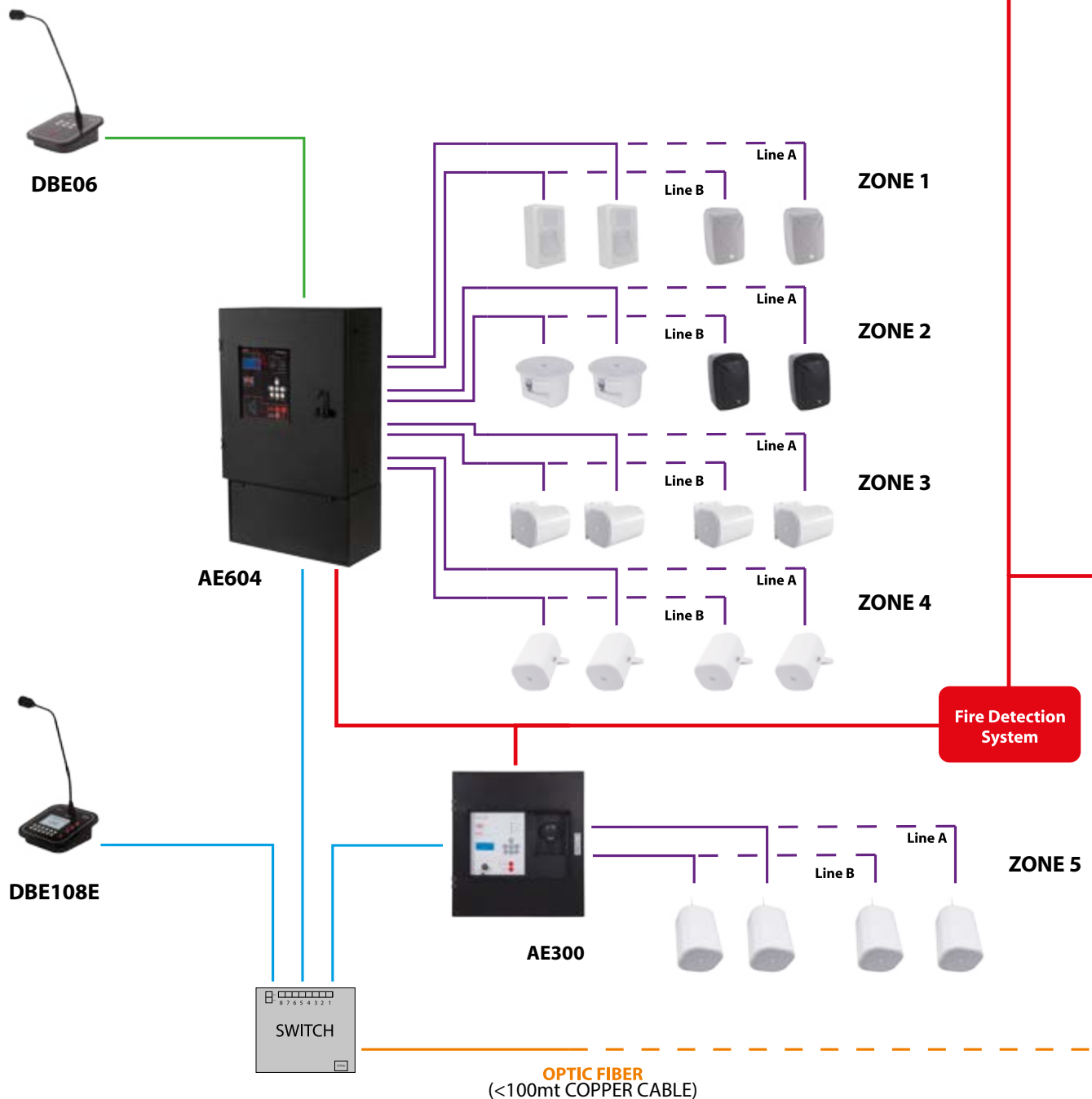
## NETWORK APPLICATION

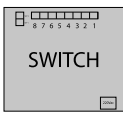
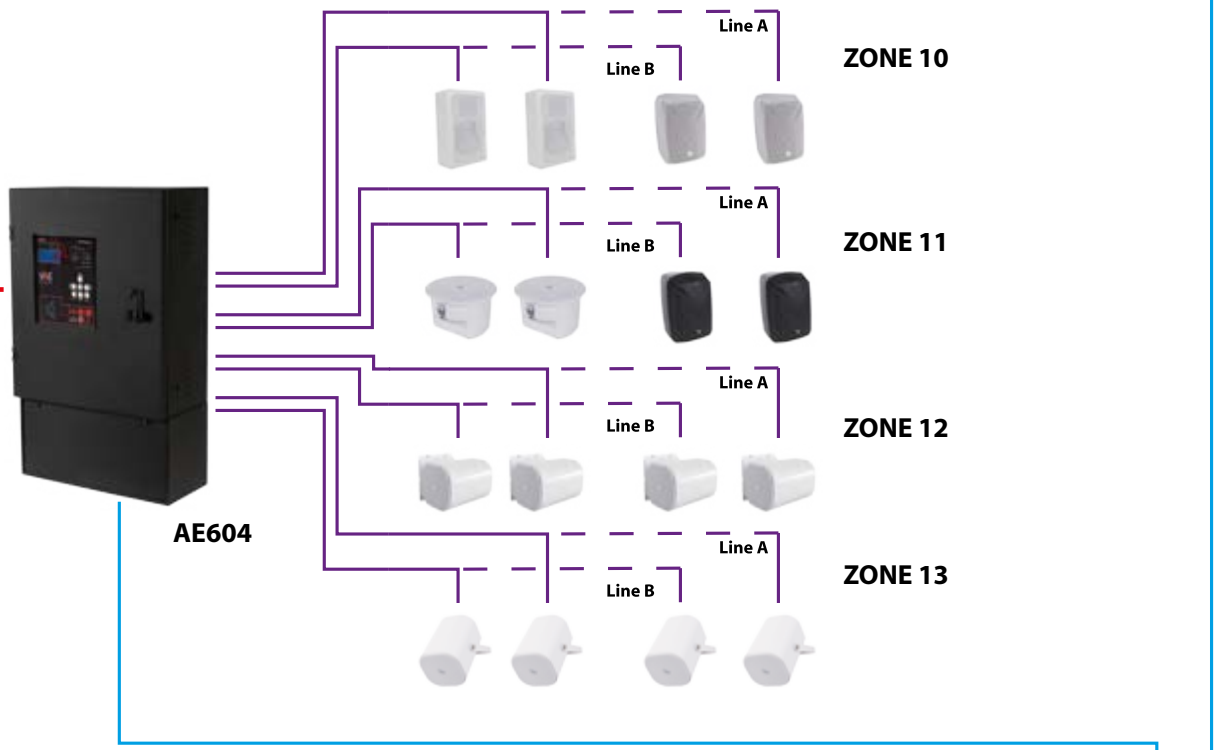
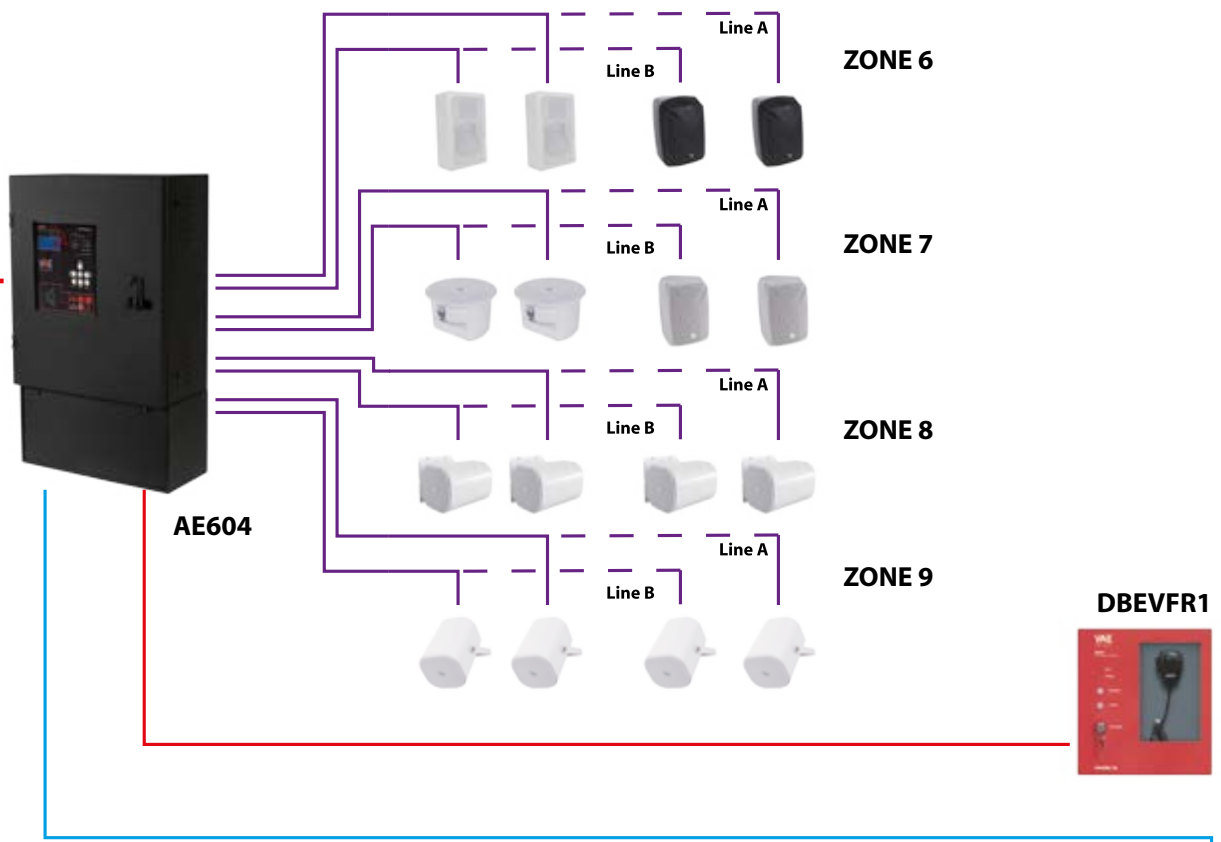
### MAXIMUM EXTENSION CAPACITY

- 8 x AE604/AE300
- 4 x DBE108E

### INFRASTRUCTURE REQUIREMENTS

- All devices must be in the same subnet
- 100Mb / s LAN network - 100BASE-TX
- Connection with UTP CAT5 / 6 cable
- Maximum length of each 100mt cable section
- Possibility to extend the Infrastructure by introducing optical fiber transceivers
- Switch required with a minimum forwarding rate of 6Gpps and a minimum switching capacity of 10Gbps





OPTIC FIBER  
(<100mt COPPER CABLE)

# VAE COMPACT ALL-IN-ONE

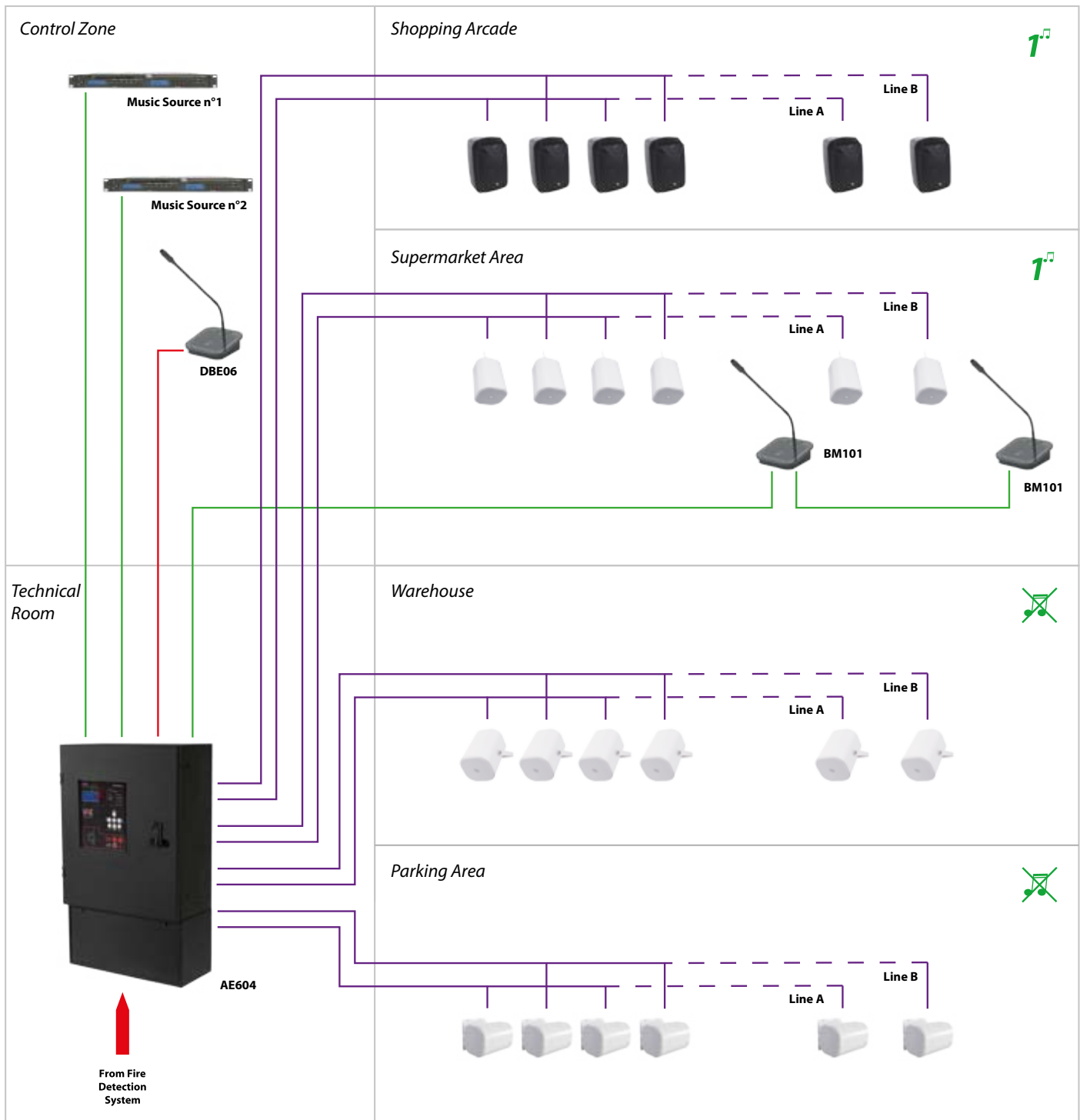
## TECHNICAL SPECIFICATIONS

| Model                                  | AE604   |
|--|---|
| Main power source                      | AC mains 220V - 50/60Hz   |
| Backup power source                    | 48V – built-in batteries (4x 12V 18A/h sealed lead acid)  |
| Backup power unit life                 | 36h stand-by + 0.5h full power  |
| Maximum power consumption              | 700W  |
| Constant voltage                       | 600W rms @ 1% THD on 100V loudspeaker line, all zones combined  |
| Frequency response                     | 100Hz – 18KHz @ -3dB  |
| Signal to noise ratio                  | >90dB   |
| Redundant power amplifier              | Yes   |
| Zones and loudspeaker lines            | 4 zones, redundant loudspeaker lines (A+B) on each zone   |
| Loudspeaker line monitoring            | 20 KhZ FFT impedance measurement +/-5% range. Detection of line cut, line short, line grounding.<br>No end of line needed         |
| User interface                         | Status leds + dot-matrix display, menu navigation keyboard,<br>direct access status keys (alarm, warning, silencing)              |
| Audio processing                       | DSP based, 16bit-48KHz; 3-band equalizer, Compressor/expander on microphone inputs;<br>Pre-gain and master volume controls; Chime |
| Audio inputs/outputs                   | Background music; microphone input with phantom supply and enable contact input.<br>Subwoofer line output                         |
| Front panel loudspeaker monitor        | Yes   |
| Emergency Firemen microphones          | Frontpanel microphone with monitored capsule RJ14 input for WG-MTU01 desktop emergency call station                               |
| General input controls                 | 8x dry contact inputs triggers for general announcement messages  |
| General message scheduler              | Yes   |
| Input controls from fire alarm devices | 2x monitored input contacts against cable-cut and cable short. Alarm, warning   |
| Output status reporting                | 3x 1A 230V relay contacts (alarm, fault, disablement)   |
| Communication                          | RS485, USB diagnostic port, Ethernet 10 BASE-T/100  |
| Battery monitoring                     | Internal resistance DC measurement  |
| Certifications and compliancy          | EN54-16, EN54-4, BS-EN5839-8, 60849   |
| Access restriction                     | Key-locked front door, password protected access to system menu   |
| Chassis and dimensions                 | Main Unit: W:470mm - H: 550mm - D: 232mm<br>Battery Case: W:470mm - H: 220mm - D: 205mm   |
| Weight                                 | Main Unit: 21.2 Kg<br>Battery Case: 5.15 Kg   |



# PRACTICAL EXAMPLE

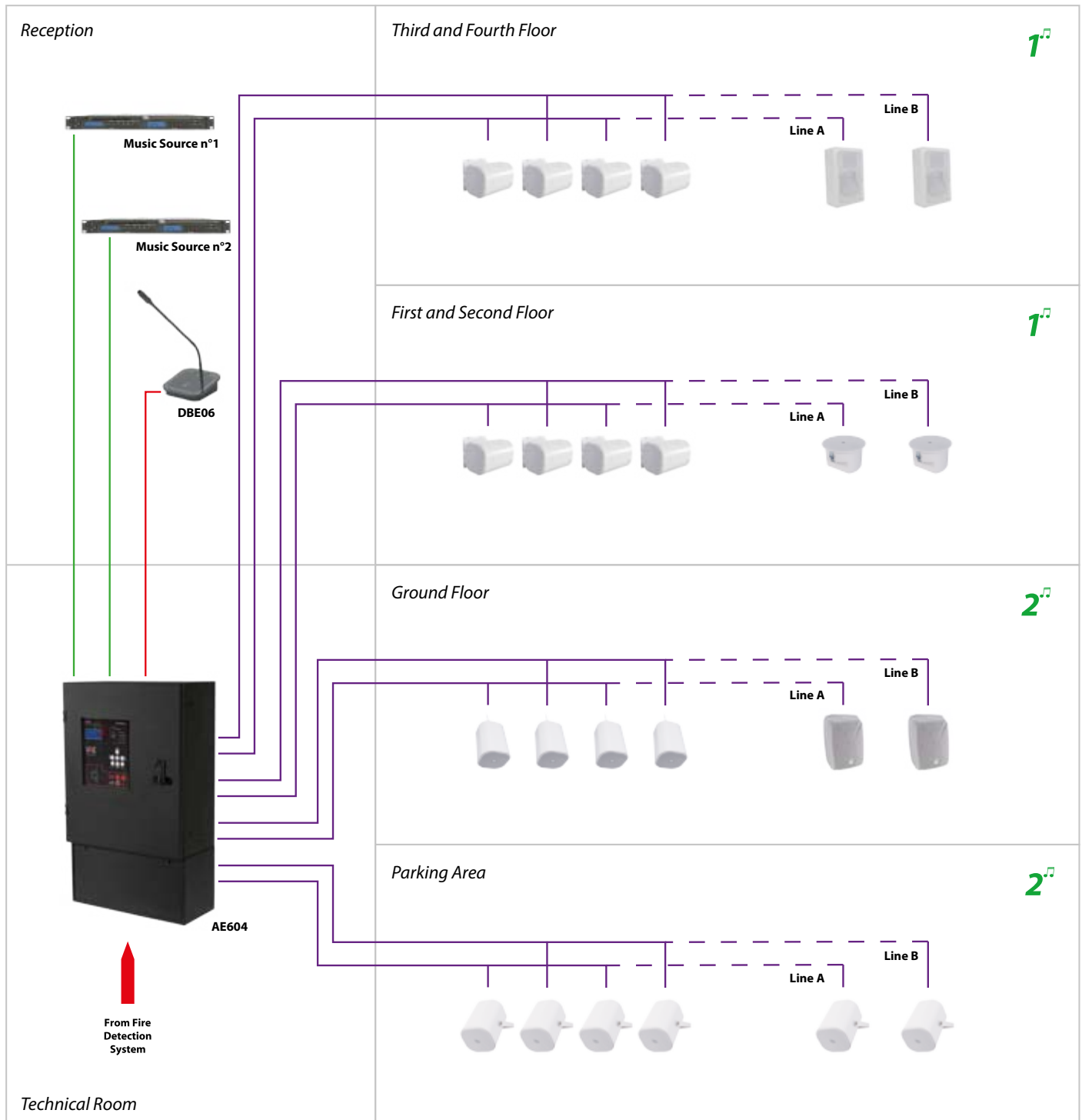
## SHOPPING CENTRE



# VAE COMPACT ALL-IN-ONE

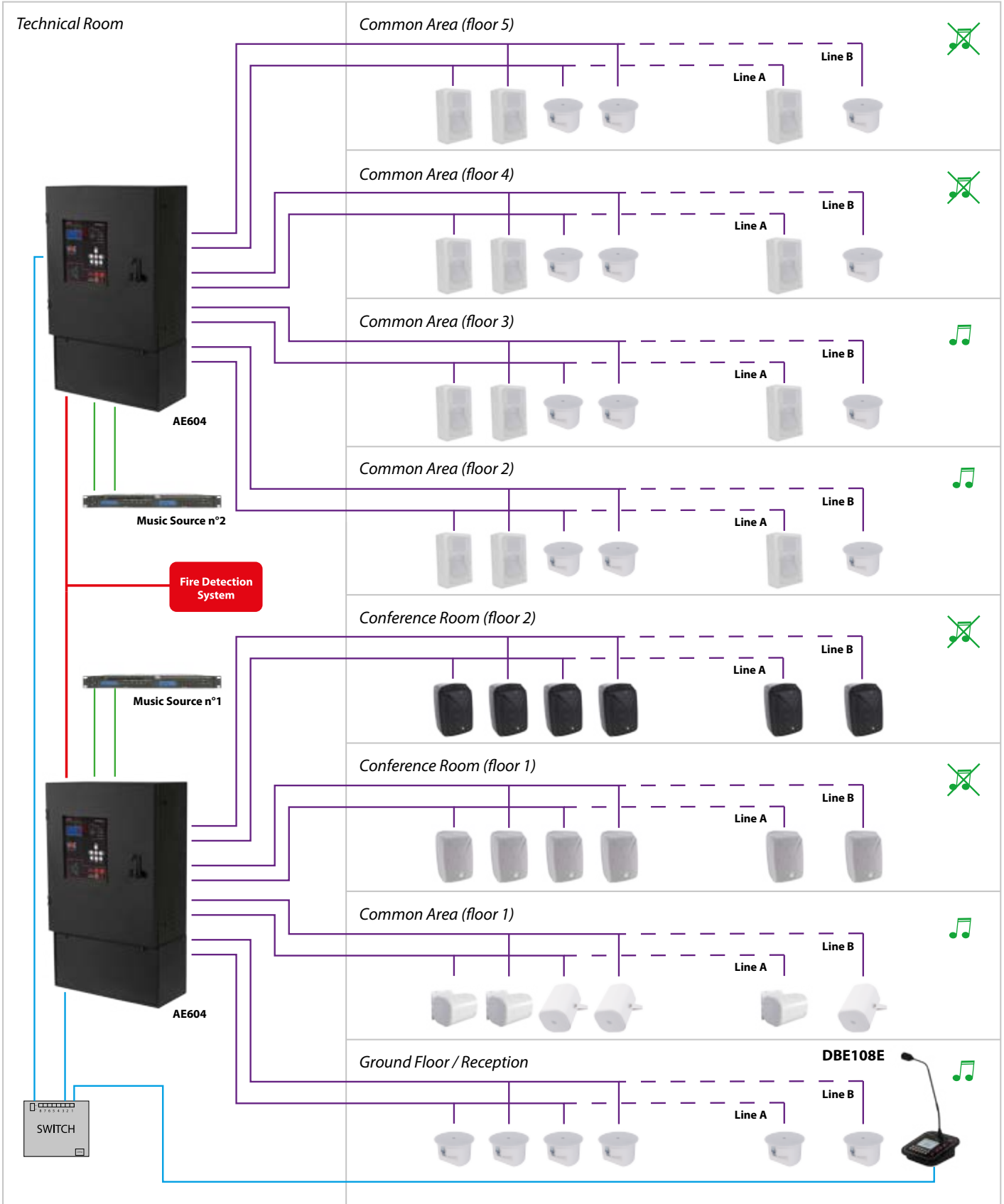
## PRATICAL EXAMPLE

### HOTEL



# PRATICAL EXAMPLE

## HOTEL WITH CONFERENCE ROOM



# VAE COMPACT ALL-IN-ONE

## AE300

### The One and only pioneer

Wall mounted All-In-One voice alarm system compliant with EN54-16 standard, with testing and charge circuit compliant with EN54-4 standard. Class D main and spare amplifiers. 300W @ 100V on redundant loudspeaker lines (A + B). The system ensures full power performance even with backup power. DSP based audio management; balanced and isolated background music input, isolated microphone input with selectable 48Vdc phantom power supply and priority activation by contact; monitored input for remote emergency call stations; front panel fitted with monitor loudspeaker, monitored emergency PPT microphone, direct sending message keys, navigation keys, large display with LCD dot matrix. Line output for active sub-woofer; audio messages stored on uSD card: 8 general messages with activation from dedicated input contacts or incorporated scheduler, 2 monitored contacts for emergency announcement activation. 4 pcs. 12Vdc batteries 7.2Ah not included.

Certification EN54-16 EN54-4.



### FEATURES

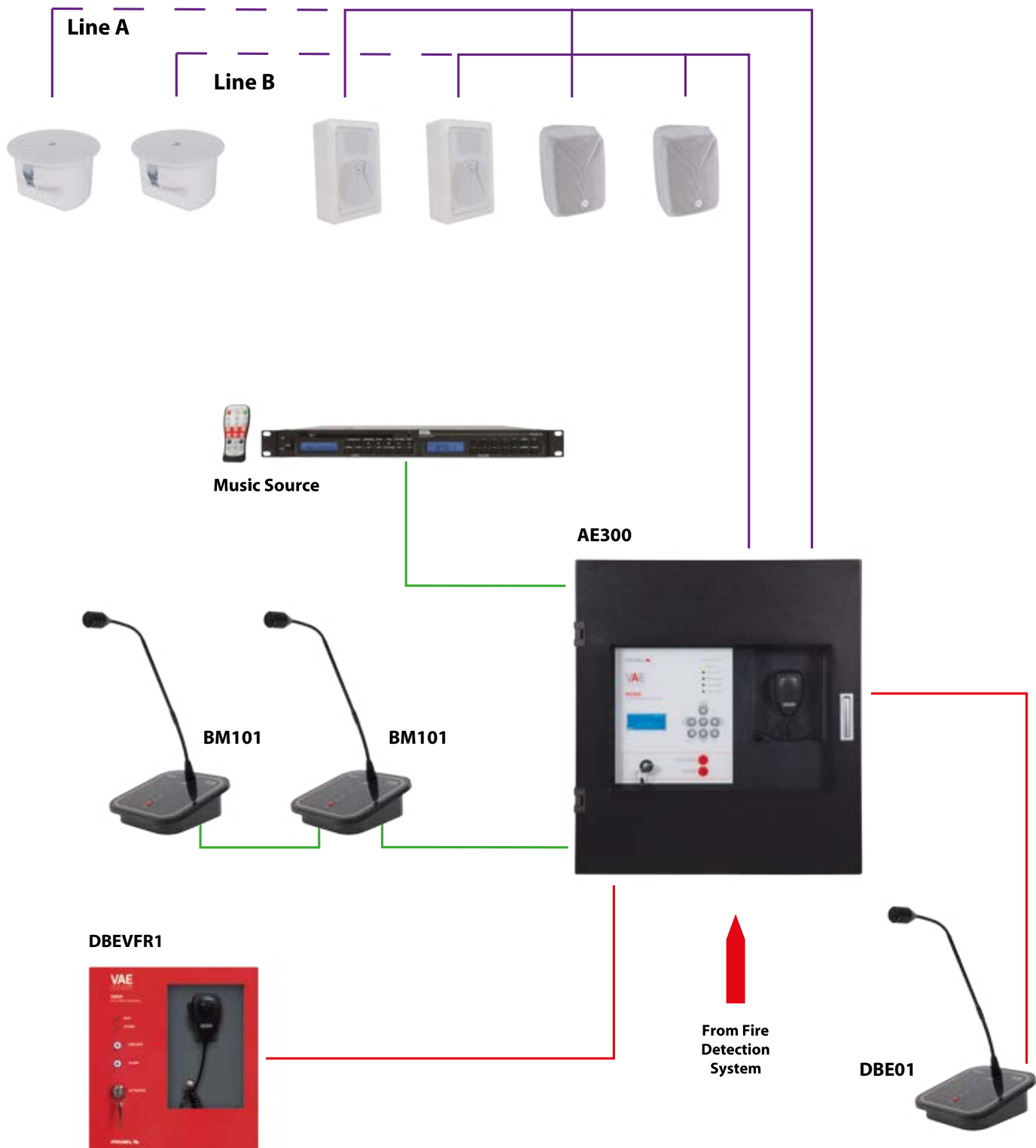
- Off the shelf integrated voice alarm system
- Out of the box installation ready
- High quality full digital audio DSP based architecture
- High output power: 300W
- Redundant loudspeaker lines (A+B)
- End of Line not required
- Embedded EN54-4 power supply and batteries
- 8 x general purpose triggerable messages
- 2 x voice alarm messages; monitored input triggers
- Background music input
- Ethernet
- Certification EN54-16 EN54-4



## STAND ALONE APPLICATION

### MAXIMUM EXTENSION CAPACITY

- 1 x AE300
- 8 x DBE01 or DBEVFR1



# VAE COMPACT ALL-IN-ONE

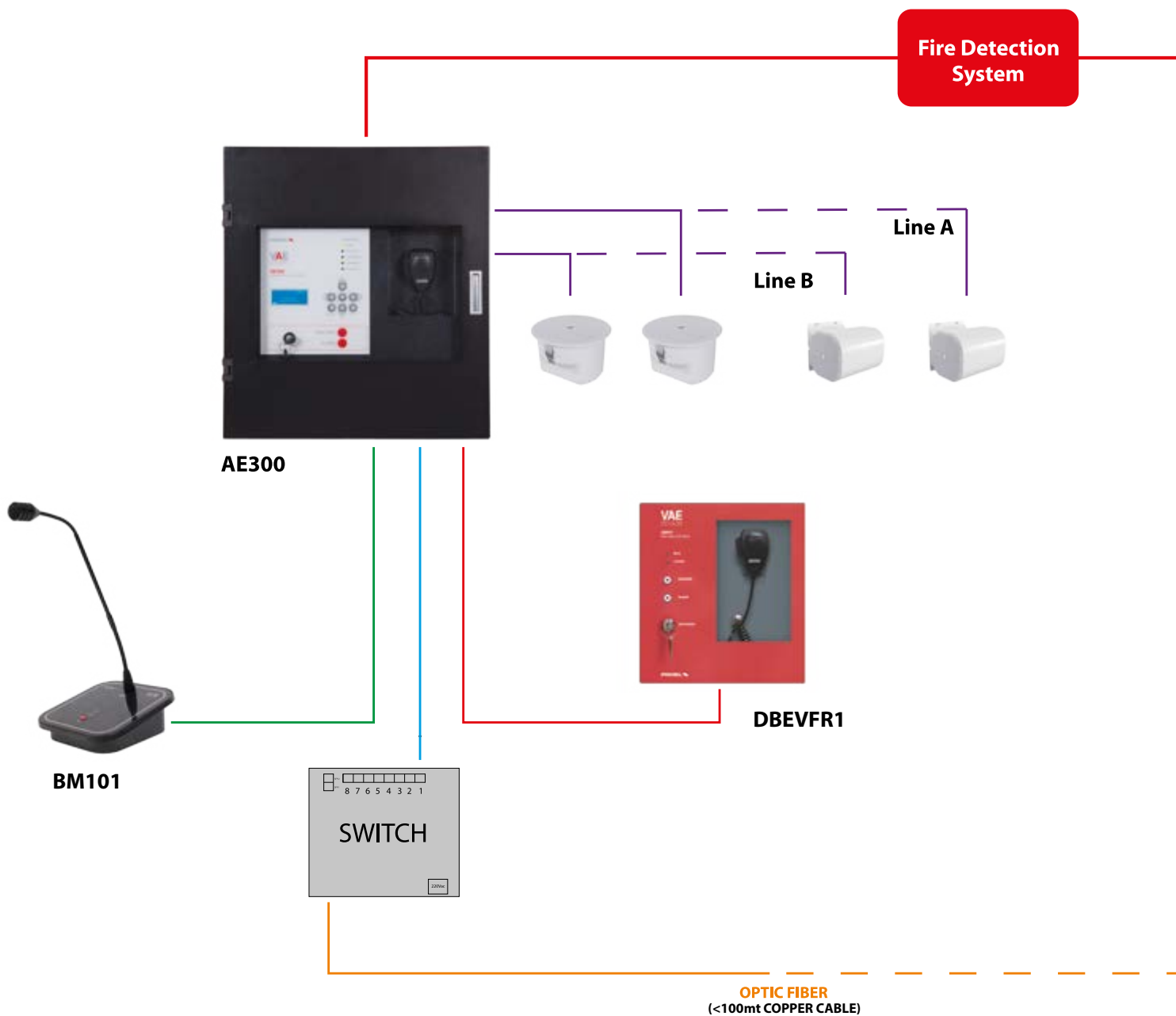
## NETWORK APPLICATION

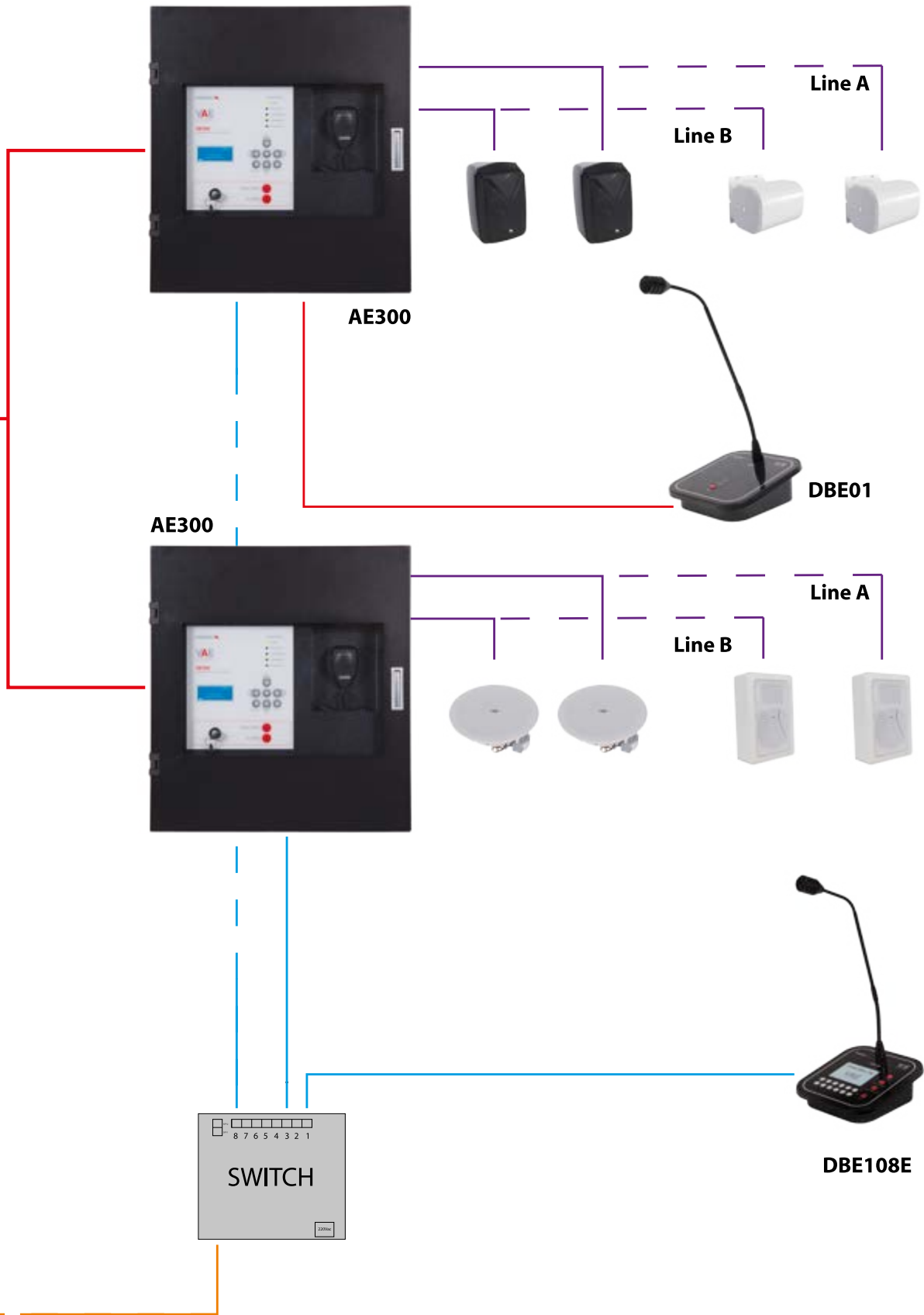
### MAXIMUM EXTENSION CAPACITY

- 8 x AE300/AE604
- 4 x DBE108E

### INFRASTRUCTURE REQUIREMENTS

- All devices must be in the same subnet
- 100Mb / s LAN network - 100BASE-TX
- Connection with UTP CAT5 / 6 cable
- Maximum length of each 100mt cable section
- Possibility to extend the Infrastructure by introducing optical fiber transceivers
- Switch required with a minimum forwarding rate of 6Gpps and a minimum switching capacity of 10Gbps





# VAE COMPACT ALL-IN-ONE

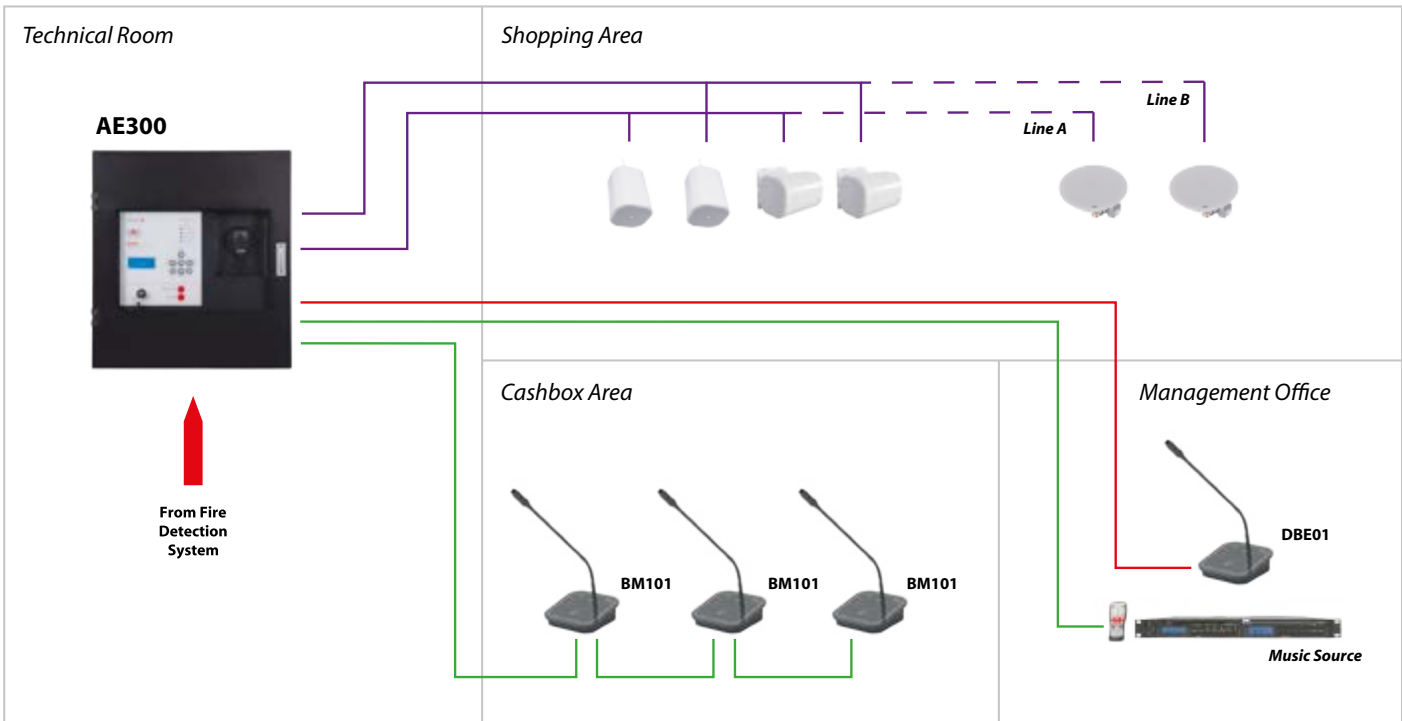
## TECHNICAL SPECIFICATIONS

| Model                                  | AE300  |
|--|--|
| Main power source                      | AC mains 220V - 50/60Hz  |
| Backup power source                    | 48V – built-in batteries (4x 12V 7,2A/h sealed lead acid)  |
| Backup power unit life                 | 36h stand-by + 0.5h full power   |
| Maximum power consumption              | 350W   |
| Constant voltage                       | Single zone 300W rms @ 1% THD on 100V loudspeaker line   |
| Frequency response                     | 100Hz – 18Khz @ -3dB   |
| Signal to noise ratio                  | >90dB  |
| Redundant power amplifier              | Yes  |
| Redundant loudspeaker line             | Yes (Line A, Line B)   |
| Loudspeaker line monitoring            | Line A and Line B independent 18 KhZ FFT impedance measurement +/-5% range. Detection of line cut, line short, line grounding. No end of line needed |
| User interface                         | Status leds + dot-matrix display, menu navigation keyboard, direct access status keys (alarm, warning, silencing)                                    |
| Audio processing                       | DSP based, 16bit-48Khz; 3-band equalizer, Compressor/expander on microphone inputs; Pre-gain and master volume controls; Chime                       |
| Audio inputs/outputs                   | Background music; microphone input with phantom supply and enable contact input. Subwoofer line output   |
| Front panel loudspeaker monitor        | Yes  |
| Emergency Firemen microphone           | Frontpanel PPT microphone with monitored capsule<br>RJ14 input for WG-MTU01 desktop emergency call station   |
| General input controls                 | 8x dry contact inputs triggers for general announcement messages   |
| General message scheduler              | Yes  |
| Input controls from fire alarm devices | 2x monitored input contacts against cable-cut and cable short.<br>Alarm, warning   |
| Output status reporting                | 2x 1A 230V relay contacts (alarm, fault)   |
| Communication                          | RS485, RS232 diagnostic port, RJ45 10 BASE-T/100   |
| Battery monitoring                     | Internal resistance DC measurement   |
| Certifications and compliancy          | EN54-16, EN54-4, BS-EN5839-8, 60849  |
| Access restriction                     | Key-locked front door, password protected access to system menu  |
| Chassiss, dimensions and weight        | Steel, powder coated – 12Kg batteries included.<br>Width 440mm, Height 11 Rack units (490mm) – Depth 150mm   |

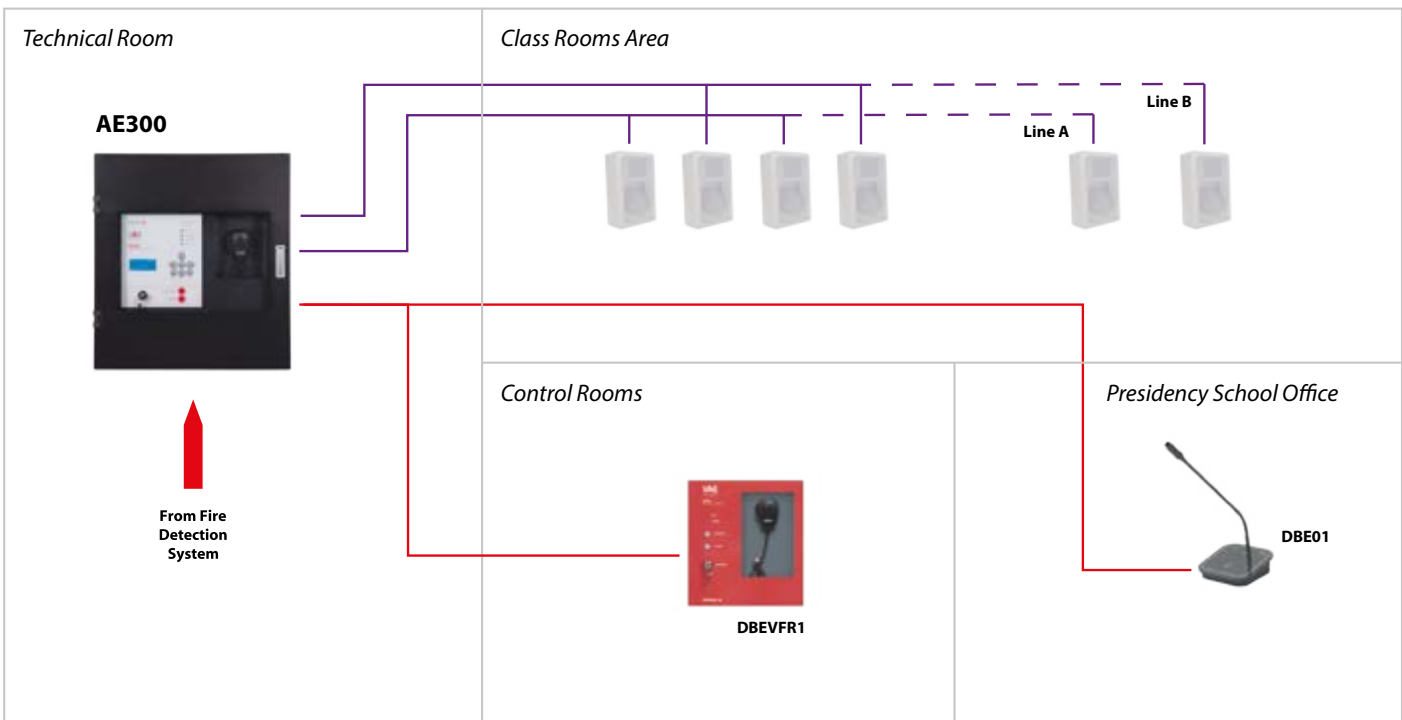


## PRACTICAL EXAMPLE

### SUPERMARKET



### SCHOOL







## EMERGENCY AND ANNOUNCEMENT CALL STATIONS EN54-16 CERTIFIED

Sound systems, amplifiers and their accessories need to be practical, rugged and totally reliable. But once they are installed in their tech-rooms, what you deal with and always have under your eyes is the microphone call station. This is why we have combined functionality and performance with a touch of beauty.

All microphone stations are the ideal companions for both modular and all-in-one sound systems, allowing you to send just all over the building a general announcement, a live emergency call or to monitor and control the entire system.

# EMERGENCY AND ANNOUNCEMENT CALL STATIONS

## PA DBE01

Fully monitored desk call station according to EN54-16. Programmable "Talk" key, "Busy" and "System" LEDs, dynamic gooseneck microphone, automatic compressor, level adjustment trimmer. Wiring by Rj45 connector and CAT5 Cable. Power supply from RJ45 cable or 24Vdc local adaptor (not supplied).



### TECHNICAL SPECIFICATIONS

| Model                   | DBE01   |
|-------------------------|---|
| Sensitivity             | -55dB ± 3dB                                       |
| Frequency Responce      | 70Hz ÷ 17KHz (-3dB)                               |
| Power Supply            | from RJ45 cable or 24Vdc local adaptor (optional) |
| Gooseneck length        | 390 mm  |
| Input/Output Connectors | 2 x RJ45  |
| Dimensions (W x H x D)  | 165 x 178 x 442 mm                                |
| Weight                  | 1.1 Kg  |

## PA DBE06

Fully monitored desk call station according to EN54-16. Software programmable capacitive selection keys, "Talk" and "Busy" Keys, "System" LEDs, dynamic gooseneck microphone, automatic compressor, level adjustment trimmer Wiring by Rj45 connector and CAT5 Cable. Wiring by Rj45 connector and CAT5 Cable. Power supply from RJ45 cable or 24Vdc local adaptor (not supplied).



### TECHNICAL SPECIFICATIONS

| Model                   | DBE06   |
|-------------------------|---|
| Sensitivity             | -55dB ± 3dB                                       |
| Frequency Responce      | 70Hz ÷ 17KHz (-3dB)                               |
| Power Supply            | from RJ45 cable or 24Vdc local adaptor (optional) |
| Gooseneck length        | 390 mm  |
| Input/Output Connectors | 2 x RJ45  |
| Dimensions (W x H x D)  | 165 x 178 x 442 mm                                |
| Weight                  | 1.1 Kg  |

## PA DBE108

Fully monitored desk call station according to EN54-16.

10 keys dial keyboard, "Talk" and "Clear" key, 3 Evac activation keys, touch screen quarter VGA TFT display, dynamic gooseneck microphone, DSP audio processing. All keys and functions are software programmable. Wiring by Rj45 connector and CAT5 Cable.

Power supply from RJ45 cable or 24Vdc local adaptor (not supplied).



### TECHNICAL SPECIFICATIONS

| Model                          | DBE108  |
|--------------------------------|---|
| <b>Sensitivity</b>             | -55dB ± 3dB                                       |
| <b>Frequency Response</b>      | 70Hz ÷ 17KHz (-3dB)                               |
| <b>Power Supply</b>            | from RJ45 cable or 24Vdc local adaptor (optional) |
| <b>Gooseneck length</b>        | 390 mm  |
| <b>Input/Output Connectors</b> | RJ45  |
| <b>Dimensions (W x H x D)</b>  | 165 x 178 x 442 mm                                |
| <b>Weight</b>                  | 1.2 Kg  |

## PA DBE108E

Fully monitored Ethernet desk call station according to EN54-16. Connected to Proel's networkable emergency sound systems.

10 keys dial keyboard, "Talk" and "Clear" key, 3 Evac activation keys, touch screen quarter VGA TFT display, dynamic gooseneck microphone, DSP audio processing. All keys and functions are software programmable. Wiring by Rj45 connector and CAT5 Cable.

Power supply from 24Vdc local adaptor.



### TECHNICAL SPECIFICATIONS

| Model                          | DBE108E             |
|--------------------------------|---------------------|
| <b>Sensitivity</b>             | -55dB ± 3dB         |
| <b>Frequency Response</b>      | 400Hz ÷ 8KHz (-3dB) |
| <b>Dynamic range</b>           | 72dB                |
| <b>Gooseneck type</b>          | Dynamic             |
| <b>Gooseneck length</b>        | 390 mm              |
| <b>Input/Output Connectors</b> | Ethernet 10/100     |
| <b>Power supply:</b>           | 18-24Vdc            |
| <b>Dimensions (W x H x D)</b>  | 165 x 178 x 442 mm  |
| <b>Weight</b>                  | 0.8 Kg              |

# EMERGENCY AND ANNOUNCEMENT CALL STATIONS

## PA DBEVFR1

Fully monitored, wall-mount, red metal box, EN54-16 Firemen's call station with handheld PTT Microphone. Fully software programmable, with status LEDs. Access to the security and fire alarm features system is granted by a key-lock. "EVAC" and "ALARM" Remote Message Activation Button.

Wiring by Rj45 connector and CAT5 Cable.

Power supply from RJ45 cable or 24Vdc local adaptor.



### TECHNICAL SPECIFICATIONS

| Model                   | DBEVFR1   |
|-------------------------|---|
| Sensitivity             | -40dB ± 3dB                                       |
| Frequency Responce      | 150Hz ÷ 14KHz (-3dB)                              |
| Power Supply            | from RJ45 cable or 24Vdc local adaptor (optional) |
| Microphone              | "PTT" Type  |
| Input/Output Connectors | RJ45  |
| Dimensions (W x H x D)  | 232 x 252 x 49 mm                                 |
| Weight                  | 2.6 Kg  |

## PA BM101

Preamplified desk call station with chime generator and smart priority management.

The BM101 is a microprocessor based, pre-amplified, general announcement call station. For a better speech intelligibility, the unit has a compressor in the amplification path. The unit has also an embedded chime generator and smart priority management in case several stations are connected to the same bus. The audio output is balanced and the transformer coupled. The output level can be selected between MIC and LINE and the gain is regulated by a dedicated trimmer. Finally, its high output level makes the BM101 the best choice in setups with a very long cable length to the amplifier.

One or several BM101 stations are connected over a standard UTP Cat.5 (or higher) cable with RJ45 ending.

The PA BM101 is not a monitored emergency sound station. Still, it fits all Proel's and third party emergency sound systems, and its use is intended for general announcements only.



### TECHNICAL SPECIFICATIONS

| Model                   | BM101   |
|-------------------------|---|
| Sensitivity             | -55dB ± 3dB                                       |
| Frequency Responce      | 70Hz ÷ 17KHz (-3dB)                               |
| Power Supply            | from RJ45 cable or 24Vdc local adaptor (optional) |
| Gooseneck length        | 390 mm  |
| Input/Output Connectors | 2 x RJ45  |
| Dimensions (W x H x D)  | 165 x 178 x 442 mm                                |
| Weight                  | 0.9 Kg  |

**CROSSING**

| Model        | PA DBE01 | PA DBE06 | PA DBE108E | PA DBE108 | PA DBEVFR1 | PA BM101                                      |
|--------------|----------|----------|------------|-----------|------------|---|
| PA AE604     | x        | x        | x          |           | x          | x<br>*not for EVAC use                        |
| PA AE300     | x        |          | x          |           | x          | x<br>*not for EVAC use                        |
| PA EV PROM5Z | x        | x        |            | x         | x          | x<br>*not for EVAC use<br>*not dedicate input |



# ARTIA SERIES EN54-24 CERTIFIED SPEAKER

This premium loudspeaker systems, designed and engineered in Italy, come from Proel's 30-years experience in the development of sound reinforcement systems. Not only they outperform the strictest quality and performance criteria, but they fulfil EN54-24 standard for the use in fire alarm systems.

The new ARTIA series will enhance every sound system and will be at its ease in any kind of application, no matter if background music, voice announcements or emergency calls.







# ARTIA SERIES

## PA A51T

A51T is a compact, two-way, surface-mount loudspeaker system designed for constant-voltage or constant-impedance applications. It is equipped with a 76 mm (3") woofer and a 1" dome tweeter, able to provide an excellent speech intelligibility with wide dispersion, together with a very good background music reproduction.

A51T features a transformer to operate on 100V and 70V constant voltage systems. In a sealed compartment on the rear panel, together with the rotary selector for power taps or impedance, it includes, in compliance with EN 54-24:2008 standard, a ceramic terminal block and a thermal fuse; it is, therefore, suitable for the use in voice alarm systems.

The ABS cabinet complies to UL 94V0 and is available in black (**A51TB**) or white (**A51TW**) color finishing, allowing the best décor matching in any environment.

The IP55C environment protection allows the A51T speaker to be installed both indoors and outdoors.



### TECHNICAL SPECIFICATIONS

| Model   | A51TB - A51TW  |
|---|--|
| <b>System Type</b>  | Wall Mount Speaker   |
| <b>Drivers</b>  | 1" tweeter<br>5" woofer  |
| <b>Power Rating @ 8Ω (nominal)</b>                              | 50 W   |
| <b>Rated Noise Power 100h</b>                                   | 50 W   |
| <b>Power rating @ 100V</b>                                      | 50 / 25 / 12.5 / 6.25 W  |
| <b>Power rating @ 70V</b>                                       | 50 / 25 / 12.5 / 6.25 / 3.12 W   |
| <b>Impedance</b>  | 8 Ω (nominal)<br>200 / 400 / 800 / 1.6K Ω @ 100V<br>100 / 200 / 400 / 800 / 1.6K Ω @ 70V |
| <b>Connector</b>  | Ceramic Terminal block   |
| <b>Power selection</b>  | Rotary Switch  |
| <b>Measure Environment</b>                                      | Free Field   |
| <b>Frequency Response (-10 dB)</b>                              | 90 -20k Hz   |
| <b>Sensitivity at 1W (1 kHz, 1m / 4m)</b>                       | 89.6 / 77.6 dB   |
| <b>Sensitivity at 1W (Pink Noise 6dB Crest Factor, 1m / 4m)</b> | 86.6 / 74.6 dB   |
| <b>Max SPL (Pink Noise 6dB Crest Factor, 1m / 4m)</b>           | 100.4 / 88.4 dB  |
| <b>Coverage Angle at 500 / 1k / 2k / 4k Hz (-6dB)</b>           | Hor: 360° / 180° / 130° / 85°<br>Vert: 360° / 145° / 85° / 35°                           |
| <b>Cabinet</b>  | Black (RAL 9011)/White (RAL 9016)  |
| <b>Material</b>   | ABS / Aluminium  |
| <b>Environmental Type</b>                                       | B  |
| <b>Protection Degree</b>  | IP55C using PG11 glands  |
| <b>Operating Temperature</b>                                    | -25 ÷ +55 °C (-13 ÷ +131 °F)   |
| <b>Relative humidity</b>  | <95%   |
| <b>Dimensions (mm)</b>  | 170 x 245 x 175 (W x H x D)  |
| <b>Mounting</b>   | on wall using supplied bracket   |
| <b>Weight</b>   | 2.3 kg (5.07 lb)   |
| <b>Standard Compliance</b>                                      | EN54-24:2008   |
| <b>Certification</b>  | 0051-CPR-1996  |

## PA A31T

A31T is a compact, two-way, surface-mount loudspeaker system designed for constant-voltage or constant-impedance applications. It is equipped with a 76 mm (3") woofer and a 1" dome tweeter, able to provide an excellent speech intelligibility with wide dispersion, together with a very good background music reproduction.

A31T features a transformer to operate on 100V and 70V constant voltage systems. In a sealed compartment on the rear panel, together with the rotary selector for power taps or impedance, it includes, in compliance with EN 54-24:2008 standard, a ceramic terminal block and a thermal fuse and it is, therefore, suitable for the use in voice alarm systems.

The ABS cabinet complies to UL 94V0 and is available in black (**A31TB**) or white (**A31TW**) color finishing, allowing the best décor matching in any environment.

The IP55C environment protection allows the A31T speaker to be installed both indoors and outdoors.



### TECHNICAL SPECIFICATIONS

| Model   | A51TB - A51TW  |
|---|--|
| <b>System Type</b>  | Wall Mount Speaker   |
| <b>Drivers</b>  | 1" tweeter<br>3" woofer  |
| <b>Power Rating @ 8Ω (nominal)</b>                              | 25 W   |
| <b>Rated Noise Power 100h</b>                                   | 25 W   |
| <b>Power rating @ 100V</b>                                      | 25 / 12.5 / 6.25 / 3.12 W  |
| <b>Power rating @ 70V</b>                                       | 25 / 12.5 / 6.25 / 3.12 / 1.56 W   |
| <b>Impedance</b>  | 8 Ω (nominal)<br>400 / 800 / 1.6K / 3.2K Ω @ 100V<br>200 / 400 / 800 / 1.6K / 3.2K Ω @ 70V |
| <b>Connector</b>  | Ceramic Terminal block   |
| <b>Power selection</b>  | Rotary Switch  |
| <b>Measure Environment</b>                                      | Free Field   |
| <b>Frequency Response (-10 dB)</b>                              | 120 -20k Hz  |
| <b>Sensitivity at 1W (1 kHz, 1m / 4m)</b>                       | 88.4 / 76.4 dB   |
| <b>Sensitivity at 1W (Pink Noise 6dB Crest Factor, 1m / 4m)</b> | 85.4 / 73.4 dB   |
| <b>Max SPL (Pink Noise 6dB Crest Factor, 1m / 4m)</b>           | 97.8 / 85.8 dB   |
| <b>Coverage Angle at 500/ 1k / 2k / 4k Hz (-6dB)</b>            | Hor: 360° / 190° / 170° / 105°<br>Vert: 360° / 190° / 130° / 35°                           |
| <b>Cabinet</b>  | Black (RAL 9011)/White (RAL 9016)  |
| <b>Material</b>   | ABS / Aluminium  |
| <b>Environmental Type</b>                                       | B  |
| <b>Protection Degree</b>  | IP55C using PG11 glands  |
| <b>Operating Temperature</b>                                    | -25 ÷ +55 °C (-13 ÷ +131 °F)   |
| <b>Relative humidity</b>  | <95%   |
| <b>Dimensions (mm)</b>  | 140 x 209 x 125 (W x H x D)  |
| <b>Mounting</b>   | on wall using supplied bracket   |
| <b>Weight</b>   | 1.74 kg (3.84 lb)  |
| <b>Standard Compliance</b>                                      | EN54-24:2008   |
| <b>Certification</b>  | 0051-CPR-1995  |

# ARTIA SERIES

## PA AP50T

AP50T is an elegant indoor/outdoor sound projector featuring an epoxy coated high-grade aluminum extrusion enclosure. It is equipped with a 127 mm (5") full-range driver, able to provide an excellent speech intelligibility with wide dispersion, together with a good background music reproduction.

AP50T includes a transformer to operate on 100V and 70V constant voltage systems with three different power taps. In compliance with EN 54-24:2008 standard, it includes a ceramic terminal block and a thermal fuse and it is, therefore, suitable for the use in voice alarm systems.

Thanks to its rugged construction and IP55 protection, this unit is suited for both indoor and outdoor application in shopping centres, exhibition centres, railway, bus stations, etc.



### TECHNICAL SPECIFICATIONS

| Model   | AP50T   |
|---|---|
| <b>System Type</b>  | Sound Projector   |
| <b>Drivers</b>  | 5" dual cone full range   |
| <b>Rated Noise Power 100h</b>                                   | 20 W  |
| <b>Power rating @ 100V</b>                                      | 20 / 10 / 5 W   |
| <b>Power rating @ 70V</b>                                       | 10 / 5 / 2.5 W  |
| <b>Impedance</b>  | 500 / 1K / 2K Ω @ 100V<br>500 / 1K / 2K Ω @ 70V                 |
| <b>Connector</b>  | Ceramic Terminal Block  |
| <b>Power selection</b>  | On Terminal Block   |
| <b>Measure Environment</b>                                      | Free Field  |
| <b>Frequency Response (-10 dB)</b>                              | 120 -12k Hz   |
| <b>Sensitivity at 1W (1 kHz, 1m / 4m)</b>                       | 90.3 / 78.3 dB  |
| <b>Sensitivity at 1W (Pink Noise 6dB Crest Factor, 1m / 4m)</b> | 87.3 / 75.3 dB  |
| <b>Max SPL (Pink Noise 6dB Crest Factor, 1m / 4m)</b>           | 99.3 / 87.3 dB  |
| <b>Coverage Angle at 500 / 1k / 2k / 4k Hz (-6dB)</b>           | Hor: 360° / 190° / 125° / 90°<br>Vert: 360° / 190° / 125° / 90° |
| <b>Cabinet</b>  | White (RAL 9016)  |
| <b>Material</b>   | Aluminium   |
| <b>Environmental Type</b>                                       | B   |
| <b>Protection Degree</b>  | IP55C   |
| <b>Operating Temperature</b>                                    | -25 ÷ +55 °C (-13 ÷ +131 °F)                                    |
| <b>Relative humidity</b>  | <95%  |
| <b>Dimensions (mm)</b>  | 140 x 140 x 195 (W x H x D)                                     |
| <b>Mounting</b>   | brick/concrete on ceilings/wall                                 |
| <b>Weight</b>   | 2.63 kg (5.80 lb)   |
| <b>Standard Compliance</b>                                      | EN54-24:2008  |
| <b>Certification</b>  | 0051-CPR-1998   |

## PA AP52T

AP52T is an elegant indoor/outdoor bi-directional sound projector featuring an epoxy coated high-grade aluminum extrusion enclosure. It is equipped with two 127 mm (5") full-range drivers, able to provide an excellent speech intelligibility with wide dispersion, together with a good background music reproduction.

AP52T includes a transformer to operate on 100V and 70V constant voltage systems with three different power taps. In compliance with EN 54-24:2008 standard, it includes a ceramic terminal block and a thermal fuse and it is, therefore, suitable for the use in voice alarm systems.

Thanks to its rugged construction and IP55 protection, this unit is suited for both indoor and outdoor application in shopping centres, exhibition centres, railway, bus stations, etc.



### TECHNICAL SPECIFICATIONS

| Model   | AP52T  |
|---|--|
| <b>System Type</b>  | Bi-Directional Sound Projector                                   |
| <b>Drivers</b>  | Dual 5" full range   |
| <b>Rated Noise Power 100h</b>                                   | 20 W   |
| <b>Power rating @ 100V</b>                                      | 20 / 10 / 5 W  |
| <b>Power rating @ 70V</b>                                       | 10 / 5 / 2.5 W   |
| <b>Impedance</b>  | 500 / 1K / 2K $\Omega$ @ 100V<br>500 / 1K / 2K $\Omega$ @ 70V    |
| <b>Connector</b>  | Ceramic Terminal block   |
| <b>Power selection</b>  | On Terminal Block  |
| <b>Measure Environment</b>                                      | Free Field   |
| <b>Frequency Response (-10 dB)</b>                              | 160 -12k Hz  |
| <b>Sensitivity at 1W (1 kHz, 1m / 4m)</b>                       | 87.7 / 75.7 dB   |
| <b>Sensitivity at 1W (Pink Noise 6dB Crest Factor, 1m / 4m)</b> | 84,7 / 72.7 dB   |
| <b>Max SPL (Pink Noise 6dB Crest Factor, 1m / 4m)</b>           | 96.8 / 84.8 dB   |
| <b>Coverage Angle at 500 / 1k // 2k / 4k Hz (-6dB)</b>          | Hor.: 140° / 160° / 155° / 90°<br>Vert: 140° / 155° / 150° / 90° |
| <b>Cabinet</b>  | White (RAL 9016)   |
| <b>Material</b>   | Aluminium  |
| <b>Environmental Type</b>                                       | B  |
| <b>Protection Degree</b>  | IP43C  |
| <b>Operating Temperature</b>                                    | -25 ÷ +55 °C (-13 ÷ +131 °F)                                     |
| <b>Relative humidity</b>  | <95%   |
| <b>Dimensions (mm)</b>  | 140 x 185 x 200 (W x H x D)                                      |
| <b>Mounting</b>   | brick/concrete on ceilings/wall                                  |
| <b>Weight</b>   | 3.45 kg (7.6 lb)   |
| <b>Standard Compliance</b>                                      | EN54-24:2008   |
| <b>Certification</b>  | 0051-CPR-1998  |

# ARTIA SERIES

## PA AH50T

AH50T is an elegant indoor/outdoor hanging speaker featuring an epoxy coated high-grade aluminum extrusion enclosure. It is equipped with a 127 mm (5") full-range driver, able to provide an excellent speech intelligibility with wide dispersion, together with a good background music reproduction.

AH50T includes a transformer to operate on 100V and 70V constant voltage systems with three different power taps. In compliance with EN 54-24:2008 standard, it includes a ceramic terminal block and a thermal fuse and it is, therefore, suitable for the use in voice alarm systems.

Thanks to its rugged construction and IP55 protection, this unit is suited for both indoor and outdoor application in shopping centres, exhibition centres, railway, bus stations, etc.



### TECHNICAL SPECIFICATIONS

| Model  | AH50T  |
|--|--|
| System Type  | Hanging Speaker  |
| Drivers  | 5" dual cone full range  |
| Rated Noise Power 100h                                   | 20 W   |
| Power rating @ 100V                                      | 20 / 10 / 5 W  |
| Power rating @ 70V                                       | 10 / 5 / 2.5 W   |
| Impedance  | 500 / 1K / 2K $\Omega$ @ 100V<br>500 / 1K / 2K $\Omega$ @ 70V    |
| Connector  | Ceramic Terminal block   |
| Power selection  | On Terminal Block  |
| Measure Environment                                      | Free Field   |
| Frequency Response (-10 dB)                              | 120 -12k Hz  |
| Sensitivity at 1W (1 kHz, 1m / 4m)                       | 90 / 78 dB   |
| Sensitivity at 1W (Pink Noise 6dB Crest Factor, 1m / 4m) | 87 / 75 dB   |
| Max SPL (Pink Noise 6dB Crest Factor, 1m / 4m)           | 99.3 / 87.3 dB   |
| Coverage Angle at 500 / 1k / 2k / 4k Hz (-6dB)           | Hor.: 360° / 190° / 125° / 90°<br>Vert: 360° / 190° / 125° / 90° |
| Cabinet  | White (RAL 9016)   |
| Material   | Aluminium  |
| Environmental Type                                       | B  |
| Protection Degree  | IP43C  |
| Operating Temperature                                    | -25 ÷ +55 °C (-13 ÷ +131 °F)                                     |
| Relative humidity  | < 95%  |
| Dimensions (mm)  | 140 x 140 x 195 (W x H x D)                                      |
| Mounting   | suspended from ceilings  |
| Weight   | 2.77 kg (6.11 lb)  |
| Standard Compliance                                      | EN54-24:2008   |
| Certification  | 0051-CPR-1998  |

## PA AIW50T

AIW50T is an elegant indoor wall speaker featuring an ABS injected frame and an epoxy coated aluminium grid. It is equipped with a 127 mm (5") woofer and a 1" dome tweeter, providing a wide frequency response with a natural, smooth sound reproduction, ideal for the use in PA systems and in background music applications.

AIW50T includes a transformer to operate on constant voltage 100V and 70V systems with three different power taps. In compliance with EN 54-24:2008 standard, it incorporates a ceramic terminal block and a thermal fuse and is, therefore, suitable for the use in voice alarm systems. AIW50T can be installed flush with the wall on plasterboards or wooden panels. Using the optional accessory AIW50FRAME the speaker can be mounted on the surface of concrete or brick walls.

The elegant design provides a cosmetically clean appearance, which makes this unit is suited for indoor application in shopping centres, exhibition centres, railway, bus stations, etc.

## PA AIW50FRAME

This optional accessory allows to install the AIW50T on the surface of concrete or brick walls.



PA AIW50T



PA AIW50FRAME

### TECHNICAL SPECIFICATIONS

| Model  | AIW50T  |
|--|---|
| System Type  | In-Wall Speaker   |
| Drivers  | 1" tweeter<br>5" woofer   |
| Rated Noise Power 100h                                   | 12 W  |
| Power rating @ 100V                                      | 12 / 6 / 3 W  |
| Power rating @ 70V                                       | 6 / 3 / 1.5 W   |
| Impedance  | 850 / 1.7K / 3.4K Ω @ 100V<br>850 / 1.7K / 3.4K Ω @ 70V         |
| Connector  | Ceramic Terminal Block  |
| Power selection  | On Terminal Block   |
| Measure Environment                                      | Free field on standard baffle                                   |
| Frequency Response (-10 dB)                              | 90 -20k Hz  |
| Sensitivity at 1W (1 kHz, 1m / 4m)                       | 89.8 / 77.8 dB  |
| Sensitivity at 1W (Pink Noise 6dB Crest Factor, 1m / 4m) | 86.8 / 74.8 dB  |
| Max SPL (Pink Noise 6dB Crest Factor, 1m / 4m)           | 96 / 84 dB  |
| Coverage Angle at 500 / 1k / 2k / 4k Hz (-6dB)           | Hor: 130° / 130° / 120° / 90°<br>Vert: 130° / 130° / 120° / 90° |
| Cabinet  | White (RAL 9016)  |
| Material   | ABS / Aluminium   |
| Environmental Type                                       | A   |
| Protection Degree  | IP21C   |
| Operating Temperature                                    | -10 ÷ +40 °C (+14 ÷ +104 °F)                                    |
| Relative humidity  | < 95%   |
| Dimensions (mm)  | 280 x 192 x 77 (W x H x D)                                      |
| Mounting   | in-wall with 162 x 250 mm hole or<br>on surface with AIW50FRAME |
| Weight   | 1.62 kg (3.57 lb)   |
| Standard Compliance                                      | EN54-24:2008  |
| Certification  | 0051-CPR-1999   |

# ARTIA SERIES

## PA WS50EN

WS50EN is an elegant indoor wall/ceiling speaker featuring an ABS injected frame and an epoxy coated aluminium grid. It is equipped with a 127 mm (5") woofer, providing a wide frequency response with a natural, smooth sound reproduction, ideal for the use in PA systems and in background music applications.

WS50EN includes a transformer to operate on constant voltage 100V and 70V systems with different power taps.

In compliance with EN 54-24:2008, it incorporates a ceramic terminal block and a thermal fuse and is, therefore, suitable for the use in voice alarm systems.

WS50EN can be installed on the wall or ceiling with brick or concrete masonry, plasterboards or wooden panels.

The elegant design provides a cosmetically clean appearance, which makes this units suited for indoor application in malls, exhibition centres, railway and bus stations, etc.



### TECHNICAL SPECIFICATIONS

| Model  | PA WS50EN   |
|--|---|
| System Type  | Wall / Ceiling Speaker  |
| Drivers  | 5" woofer   |
| Rated Noise Power 100h                                   | 6 W   |
| Power rating @ 100V                                      | 6 / 3 / 1.5 / 0.75 W  |
| Power rating @ 70V                                       | 6 / 3 / 1.5 / 0.75 / 0.375 W  |
| Impedance  | 1.7K / 3.4K / 6.7K / 13K Ω @ 100V<br>850 / 1.7K / 3.4K / 6.7K / 13K Ω @ 70V |
| Connector  | Ceramic Terminal Block  |
| Power selection  | On Transformer Terminal   |
| Measure Environment                                      | Free field on standard baffle   |
| Frequency Response (-10 dB)                              | 170 - 10k Hz  |
| Sensitivity at 1W (1 kHz, 1m / 4m)                       | 93 / 81 dB  |
| Sensitivity at 1W (Pink Noise 6dB Crest Factor, 1m / 4m) | 90 / 78 dB  |
| Max SPL (Pink Noise 6dB Crest Factor, 1m / 4m)           | 97 / 85 dB  |
| Coverage Angle at 500 / 1k / 2k / 4k Hz (-6dB)           | Hor.: 130° / 120° / 100° / 70°<br>Vert: 130° / 120° / 100° / 70°            |
| Cabinet  | White (RAL 9016)  |
| Material   | ABS / Aluminium   |
| Environmental Type                                       | A   |
| Protection Degree  | IP21C   |
| Operating Temperature                                    | -10 ÷ +40 °C (+14 ÷ +104 °F)  |
| Relative humidity  | < 95%   |
| Dimensions (mm)  | 265 x 165 x 77 (W x H x D)  |
| Mounting   | Wall / Ceiling  |
| Weight   | 0.96 kg (2.12 lb)   |
| Standard Compliance                                      | EN54-24:2008  |



## PA ACO12T

ACO12T is an elegant indoor 2-way column speaker, easy to install, fitted with an internal transformer, metal protection grille and aluminium body, which makes it a very resistant appliance from a mechanical point of view. Particularly suitable for acoustically demanding environments, where thanks to its special design it ensures high sound directivity.

The ACO12T includes a transformer to operate on 100V and 70V constant voltage systems with three different power taps. In compliance with EN 54-24:2008, it includes a ceramic terminal block and a thermal fuse and it is, therefore, suitable for the use in voice alarm systems.

The elegant design provides a cosmetically clean appearance, which makes this units suited for indoor application in malls, exhibition centres, railway and bus stations, etc.



### TECHNICAL SPECIFICATIONS

| Model   | PA ACO12T   |
|---|---|
| <b>System Type</b>                                    | Column Speaker  |
| <b>Drivers</b>  | 1" tweeter<br>12x2" woofer                                |
| <b>Rated Noise Power 100h</b>                         | 40 W  |
| <b>Power rating @ 100V</b>                            | 40 / 20 / 10 W  |
| <b>Power rating @ 70V</b>                             | 20 / 10 / 5 W   |
| <b>Impedance</b>                                      | 250 / 500 / 1K Ω @ 100V<br>250 / 500 / 1K Ω @ 70V         |
| <b>Connector</b>                                      | Ceramic Terminal block                                    |
| <b>Power selection</b>                                | On Terminal Block   |
| <b>Frequency Response (-10 dB)</b>                    | 180 - 18k Hz  |
| <b>Sensitivity at 1W (Pink, 1m / 4m)</b>              | 87 / 75 dB  |
| <b>Max SPL (Pink, 1m / 4m)</b>                        | 103 / 91 dB   |
| <b>Coverage Angle at 500 / 1k / 2k / 4k Hz (-6dB)</b> | H: 180° / 180° / 180° / 120°<br>V: 120° / 60° / 30° / 30° |
| <b>Cabinet</b>  | White (RAL 9016)  |
| <b>Material</b>                                       | Aluminium   |
| <b>Environmental Type</b>                             | A (IP44C)   |
| <b>Operating Temperature</b>                          | -10 ÷ +55 °C (+14 ÷ +131 °F)                              |
| <b>Relative humidity</b>                              | <95%  |
| <b>Dimensions (mm)</b>                                | 78 x 828 x 66 (W x H x D)                                 |
| <b>Mounting</b>                                       | on wall using supplied bracket                            |
| <b>Weight</b>   | 3.5 kg (7.71 lb)  |
| <b>Standard Compliance</b>                            | EN54-24:2008  |



# ARTIA SERIES

## PA AC61T

AC61T is a premium ceiling speaker featuring an ABS injected frame and an epoxy coated aluminum grid. It is equipped with a 154 mm (6") woofer and a 1" dome tweeter, able to provide an excellent speech intelligibility with wide dispersion, together with a very good background music reproduction.

AC61T includes a transformer to operate on 100V and 70V constant voltage systems with three different power taps. The frame is fitted with a fire-resistant ABS rear cover that seals the loudspeakers' compartment. In compliance with EN 54-24:2008 standard, the AC61T includes a ceramic terminal block and a thermal fuse and it is, therefore, suitable for the use in voice alarm systems.

A simple spring system significantly reduces the installation time, while the elegant design provides a cosmetically clean appearance, which makes this unit suited for indoor application in shopping centres, exhibition centres, railway, bus stations, etc.



### TECHNICAL SPECIFICATIONS

| Model  | AC61T  |
|--|--|
| System Type  | Ceiling Speaker  |
| Drivers  | 1" tweeter<br>6" woofer  |
| Rated Noise Power 100h                                   | 12 W   |
| Power rating @ 100V                                      | 12 / 6 / 3 W   |
| Power rating @ 70V                                       | 6 / 3 / 1.5 W  |
| Impedance  | 850 / 1.7K / 3.4K Ω @ 100V<br>850 / 1.7K / 3.4K Ω @ 70V          |
| Connector  | Ceramic Terminal Block   |
| Power selection  | On Terminal Block  |
| Measure Environment                                      | Free field on standard baffle                                    |
| Frequency Response (-10 dB)                              | 160 -20k Hz  |
| Sensitivity at 1W (1 kHz, 1m / 4m)                       | 96.3 / 84.3 dB   |
| Sensitivity at 1W (Pink Noise 6dB Crest Factor, 1m / 4m) | 93.3 / 81.3 dB   |
| Max SPL (Pink Noise 6dB Crest Factor, 1m / 4m)           | 103.5 / 91.5 dB  |
| Coverage Angle at 500 / 1k / 2k / 4k Hz (-6dB)           | Hor.: 180° / 180° / 120° / 45°<br>Vert: 180° / 180° / 120° / 45° |
| Cabinet  | White (RAL 9016)   |
| Material   | ABS / Aluminium  |
| Environmental Type                                       | A  |
| Protection Degree  | IP21C  |
| Operating Temperature                                    | -10 ÷ +40 °C (+14 ÷ +104 °F)                                     |
| Relative humidity  | < 95%  |
| Dimensions (mm)  | 186 x 114 (ø x D)  |
| Mounting   | ø 166 cut out  |
| Weight   | 1.07 Kg (2.36 lb)  |
| Standard Compliance                                      | EN54-24:2008   |
| Certification  | 0051-CPR-1997  |

## PA AC60T

AC60T is a ceiling speaker featuring an ABS injected frame and an epoxy coated aluminum grid. It is equipped with a 154 mm (6") dual-cone full-range speaker, able to provide an excellent speech intelligibility with wide dispersion, together with a good background music reproduction.

AC60T includes a transformer to operate on 100V and 70V constant voltage systems with three different power taps. In compliance with EN 54-24:2008 standard, it includes a ceramic terminal block and a thermal fuse and it is, therefore, suitable for the use in voice alarm systems.

A simple spring system significantly reduces the installation time, while the elegant design provides a cosmetically clean appearance, which makes this unit is suited for indoor application in shopping centres, exhibition centres, railway, bus stations, etc.

### TECHNICAL SPECIFICATIONS

| Model  | AC60T   |
|--|---|
| System Type  | Ceiling Speaker   |
| Drivers  | 6" dual cone full range   |
| Rated Noise Power 100h                                   | 12 W  |
| Power rating @ 100V                                      | 12 / 6 / 3 W  |
| Power rating @ 70V                                       | 6 / 3 / 1.5 W   |
| Impedance  | 850 / 1.7K / 3.4K $\Omega$ @ 100V<br>850 / 1.7K / 3.4K $\Omega$ @ 70V |
| 850 / 1.7K / 3.4K $\Omega$ @ 70V                         | Ceramic Terminal Block  |
| Connector  | Ceramic Terminal Block  |
| Power selection  | On Terminal Block   |
| Measure Environment                                      | Free field on standard baffle   |
| Frequency Response (-10 dB)                              | 120 -20k Hz   |
| Sensitivity at 1W (1 kHz, 1m / 4m)                       | 94.5 / 82.5 dB  |
| Sensitivity at 1W (Pink Noise 6dB Crest Factor, 1m / 4m) | 91.5 / 79.5 dB  |
| Max SPL (Pink Noise 6dB Crest Factor, 1m / 4m)           | 101.4 / 89.4 dB   |
| Coverage Angle at 500 / 1k / 2k / 4k Hz (-6dB)           | Hor: 180° / 180° / 160° / 60°<br>Vert: 180° / 180° / 160° / 60°       |
| Cabinet  | White (RAL 9016)  |
| Material   | ABS / Aluminium   |
| Environmental Type                                       | A   |
| Protection Degree  | IP21C   |
| Operating Temperature                                    | -10 ÷ +40 °C (+14 ÷ +104 °F)  |
| Relative humidity  | < 95%   |
| Dimensions (mm)  | 186 x 74 (ø x D)  |
| Mounting   | ø 166 cut out   |
| Weight   | 0.81 Kg (1.79 lb)   |
| Standard Compliance                                      | EN54-24:2008  |
| Certification  | 0051-CPR-1997   |



Cover Included

# ARTIA SERIES

## PA AHS30T

AHS30T is an high-efficiency horn loudspeakers that provides excellent speech reproduction and sound distribution for a wide scope of indoor and outdoor applications. It is equipped with one 35.6 mm (1.4") compression driver, able to provide an excellent speech intelligibility with tight dispersion, together with a good background music reproduction.

AHS30T includes a transformer to operate on 100V and 70V constant voltage systems with the rotary selector for power taps or impedance. In compliance with EN 54-24:2008, it includes a ceramic terminal block and a thermal fuse and it is, therefore, suitable for the use in voice alarm systems.

The ABS casing complies to UL 94V0 standard and provides IP55 protection, which makes this units suitable for both indoor and outdoor application in malls, exhibition centres, railway and bus stations, etc.



### TECHNICAL SPECIFICATIONS

| Model   | PA AHS30T  |
|---|--|
| <b>System Type</b>                                    | Horn Speaker   |
| <b>Drivers</b>  | 1.4" compression driver  |
| <b>Power Rating @ 8Ω (nominal)</b>                    | 30 W   |
| <b>Rated Noise Power 100h</b>                         | 30 W   |
| <b>Power rating @ 100V</b>                            | 30 / 15 / 7.5 / 3.75 W   |
| <b>Power rating @ 70V</b>                             | 30 / 15 / 7.5 / 3.75 / 1.9 W   |
| <b>Impedance</b>                                      | 8 Ω<br>333 / 666 / 1.33k / 2.67k Ω @ 100V<br>163 / 333 / 666 / 1.33k / 2.67k Ω @ 70V |
| <b>Connector</b>                                      | Ceramic Terminal block   |
| <b>Power selection</b>                                | Rotary Switch  |
| <b>Frequency Response* (-10 dB)</b>                   | 290 - 11k Hz   |
| <b>Sensitivity at 1W* (Pink, 1m / 4m)</b>             | 104 / 92 dB  |
| <b>Max SPL* (Pink, 1m / 4m)</b>                       | 119 / 107 dB   |
| <b>Coverage Angle at 500 / 1k / 2k / 4k Hz (-6dB)</b> | 180° / 100° / 80° / 45°  |
| <b>Cabinet</b>  | White (RAL 9016)   |
| <b>Material</b>                                       | ABS  |
| <b>Environmental Type</b>                             | B (IP55C)  |
| <b>Operating Temperature</b>                          | -25 ÷ +70 °C (-13 ÷ +158 °F)   |
| <b>Relative humidity</b>                              | <95%   |
| <b>Dimensions (mm)</b>                                | 285 x 280 x 205 (W x H x D)  |
| <b>Mounting</b>                                       | on wall using supplied bracket   |
| <b>Weight</b>   | 1.9 kg (4.18 lb)   |
| <b>Standard Compliance</b>                            | EN54-24:2008   |

## PA CS-6HT60BS

CS-6HT60BS è un altoparlante a tromba ad alta efficienza che presenta un'ottima riproduzione del parlato e di diffusione del suono per una vasta gamma di applicazioni in ambienti interni ed esterni. È dotato di un altoparlante per bassi da 165 mm e di un driver a compressione per alti da 25.4 mm, in grado di garantire un'ottima intelligibilità della voce ed una stretta dispersione, insieme ad una buona riproduzione della musica di sottofondo. CS-6HT60BS include un trasformatore per operare in sistemi a tensione costante 100V e 70V con potenza selezionabile. In conformità alla normativa EN 54-24:2008, incorpora un terminale in ceramica e un fusibile termico ed è quindi adatto per l'utilizzo in applicazioni di allarme vocale. L'involucro in ABS è conforme allo standard UL 94V0 e garantisce una protezione IP66, il che rende questa unità adatta sia per applicazioni interne che esterne in centri commerciali, centri espositivi, stazioni ferroviarie e degli autobus, ecc.



### TECHNICAL SPECIFICATIONS

| Model   | PA CS-6HT60BS                  |
|---|--------------------------------|
| <b>System Type</b>  | Horn Speaker                   |
| <b>LF Speaker</b>   | 6.5" Waterproof PP Woofer      |
| <b>HF Speaker</b>   | 1" Compression Driver          |
| <b>Rated Noise Power 100h @ 100V</b>                            | 60 W                           |
| <b>Rated Noise Power 100h @ 70V</b>                             | 30 W                           |
| <b>Power rating @ 100V</b>                                      | 60 / 30 / 15 / 7.5 W           |
| <b>Power rating @ 70V</b>                                       | 30 / 15 / 7.5 / 3.75 W         |
| <b>Impedance</b>  | 167 / 333 / 666 / 1.33k Ω      |
| <b>Connector</b>  | Ceramic Terminal block         |
| <b>Power selection</b>  | On Transformer Terminals       |
| <b>Measure Environment</b>                                      | Free Field                     |
| <b>Frequency Response (-10 dB)</b>                              | 200 - 20k Hz                   |
| <b>Sensitivity at 1W (1 kHz, 1m/4m)</b>                         | 102 / 100 dB                   |
| <b>Sensitivity at 1W (Pink Noise 6dB Crest Factor, 1m / 4m)</b> | 99 / 87 dB                     |
| <b>Max SPL (Pink Noise 6dB Crest Factor, 1m / 4m)</b>           | 114 / 102 dB                   |
| <b>Horizontal Coverage Angle at</b>                             |                                |
| <b>500 / 1k / 2k / 4k Hz (-6dB)</b>                             | 105° / 50° / 80° / 80°         |
| <b>Vertical Coverage Angle at</b>                               |                                |
| <b>500 / 1k / 2k / 4k Hz (-6dB)</b>                             | 140° / 70° / 90° / 150°        |
| <b>Cabinet</b>  | White (RAL 9016)               |
| <b>Material</b>   | ABS                            |
| <b>Environmental Type</b>                                       | B                              |
| <b>Protection Degree</b>  | IP66                           |
| <b>Operating Temperature</b>                                    | -25 ÷ +55 °C                   |
| <b>Relative humidity</b>  | <95%                           |
| <b>Dimensions (mm)</b>  | 418 x 332 x 391 (W x H x D)    |
| <b>Mounting</b>   | on wall using supplied bracket |
| <b>Weight</b>   | 7.4 kg                         |
| <b>Standard Compliance</b>                                      | EN54-24:2008                   |
| <b>Certification</b>  | 1488-CPR-0315/W                |







**PROEL** 

**UK**

Proel International Ltd.  
London

**KOREA**

Proel Korea Co. Ltd.  
Gyeonggi-Do

**USA**

Proel North America Inc.  
Los Angeles

**TUNISIE**

Proel Tunisia Sarl  
Tunisi

**PROEL SPA**

(Worldwide Headquarters)  
Via alla Ruenia, 37/43  
64027 Sant'Omero (TE) - ITALY  
Tel. +39 0861 81241  
Fax +39 0861 887862  
P.I. 00778590679  
N.Reg.AEE IT 0802000002762

info@proel.com  
www.commercialaudio.proel.com

